

# High Purity Single Crystal Standard 2 electrode device selection



High Purity Single Crystal Diamond Devices										
S	XX	.	YY	.	P2	.	ZZ	.	DESF	- SC Dual ended package with female SMA's
S	XX	.	YY	.	P2	.	ZZ	.	SE1M	- SC BNC Male package
S	XX	.	YY	.	P2	.	ZZ	.	SE2M	- SC SMA Male package
S	XX	.	YY	.	P2	.	ZZ	.	NONE	- SC Die (metallized plate)
S	XX	.	YY	.	P2	.	N	.	NONE	- SC Plate only

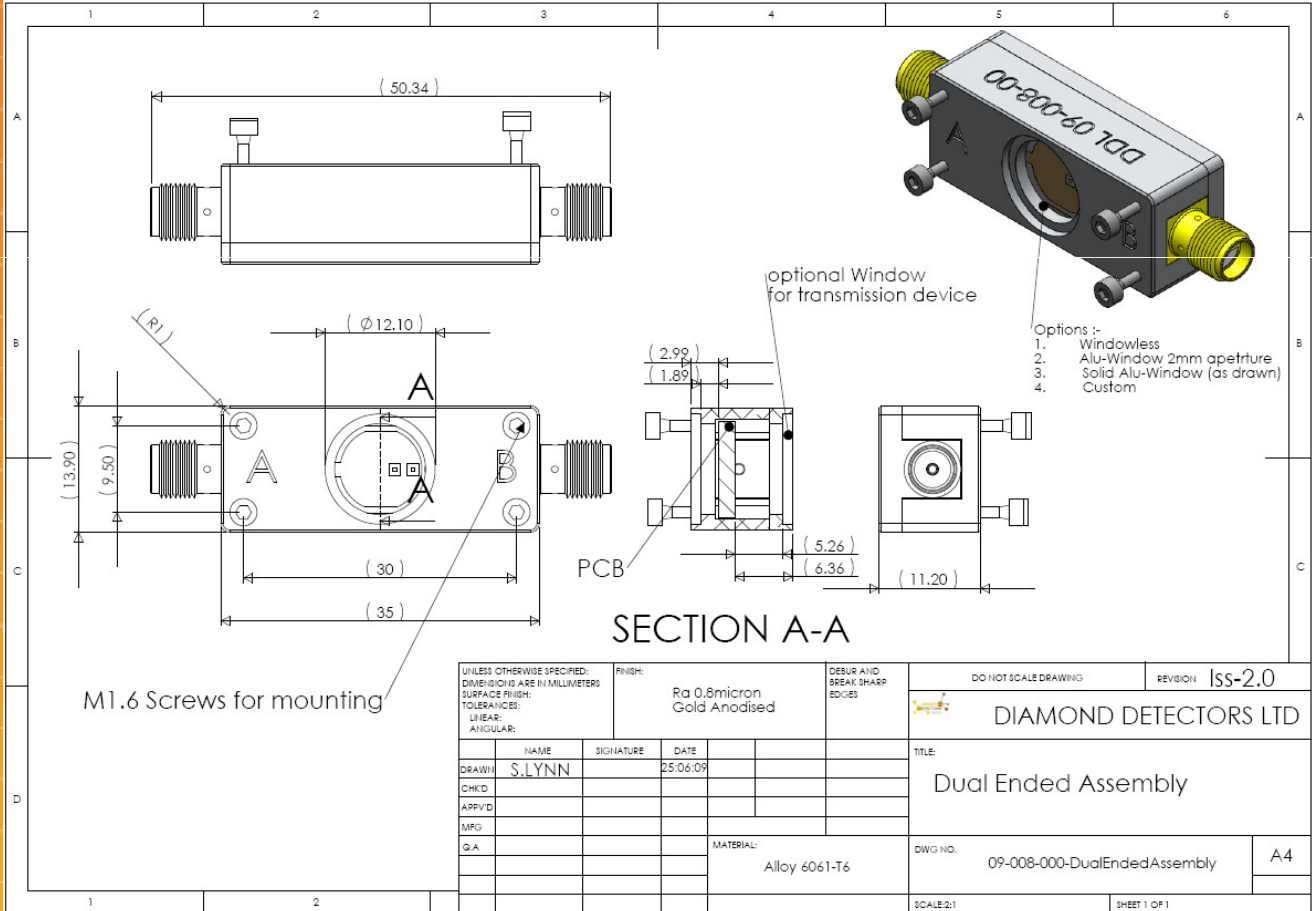


XX	Die Size	YY	Die Thickness	ZZ	Metallization
5S	4.7x4.7mm Square	50	50micron	D	DDL proprietary (DLC/Pt/Au)
4S	4.0x4.0mm Square	150	150micron	A	Al
2S	2.0x2.0mm Square	300	300micron	T	Ti/Pt/Au
1S	1.0x1.0mm Square	500	500micron	L	<sup>6</sup> Li e-beam
				B	<sup>10</sup> B e-beam
				N	None

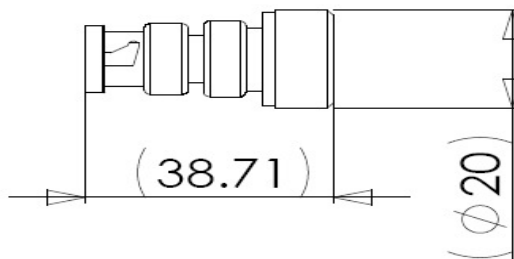
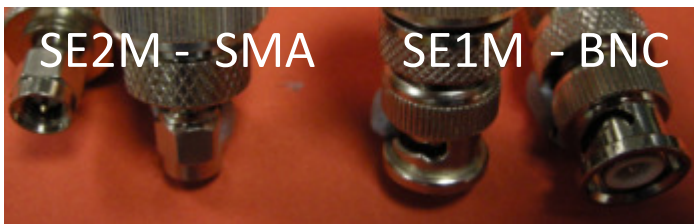
# Dual Ended SMA Female (DESF)

Die isolated from package.

Supplied with an SMA terminator to provide single ended option.



## Single Ended BNC/SMA/TNC Male (SE1M/SE2M/SE3M)



### Connection options

DESF - Dual Ended SMA

SE1M - BNC

SE2M - SMA

SE3M - TNC

CUST - Custom

\* All drawings subject to change