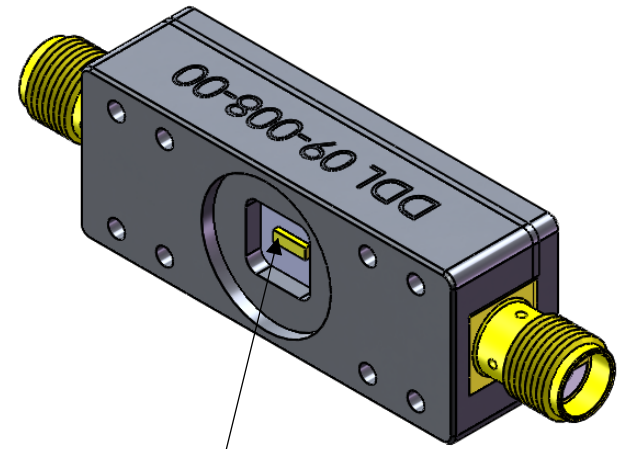
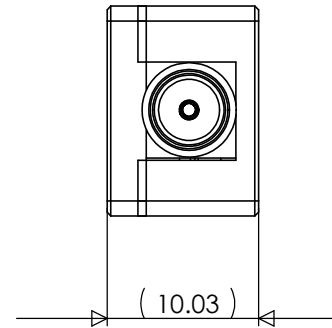


Mounting Holes
1.6mm Diameter



Diamond Detector
(Max Size 5x5mm)



UNLESS OTHERWISE SPECIFIED:
DIMENSIONS ARE IN MILLIMETERS
SURFACE FINISH:
TOLERANCES:
LINEAR:
ANGULAR:

FINISH:

DEBUR AND
BREAK SHARP
EDGES

DO NOT SCALE DRAWING

REVISION



DIAMOND DETECTORS LTD

	NAME	SIGNATURE	DATE		
DRAWN	S.LYNN		17:08:07		
CHK'D					
APPV'D					
MFG					
Q.A					

MATERIAL:

Alloy 6061-T6

TITLE:

DWG NO.

09-008-000-DualEndedAssembly

A4

SCALE:2:1

SHEET 1 OF 1