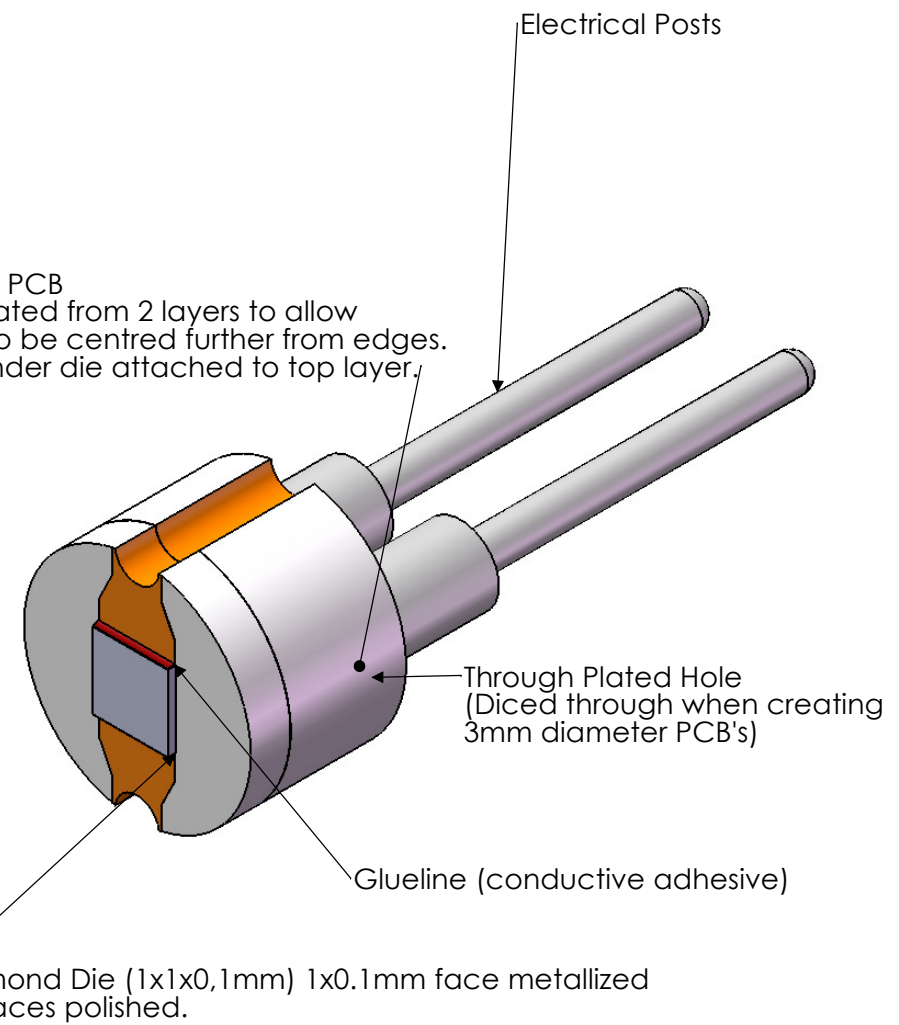


Rogers PCB
Fabricated from 2 layers to allow posts to be centred further from edges, and under die attached to top layer.



UNLESS OTHERWISE SPECIFIED: DIMENSIONS ARE IN MILLIMETERS SURFACE FINISH: TOLERANCES: ± 0.2 LINEAR: ANGULAR:		FINISH:	DEBUR AND BREAK SHARP EDGES	DO NOT SCALE DRAWING	REVISION
				DIAMOND DETECTORS LTD	
DRAWN:	NAME	SIGNATURE	DATE	TITLE:	
CHK'D:	KJO		04.02.08		
APPVD:					
MFG:					
Q.A:				DWG NO.	A3
				DDL-Dosimeter	
			WEIGHT:	SCALE:10:1	SHEET 1 OF 1