



GCTP Series V-groove Fiber Array Model

GCTP-32-S(D)

GCTP-64-S(D)



Features:

NA: 0.12-0.22, Customer design service available

Fiber Number: 32, 64; Single Array or Double Array

Applications:

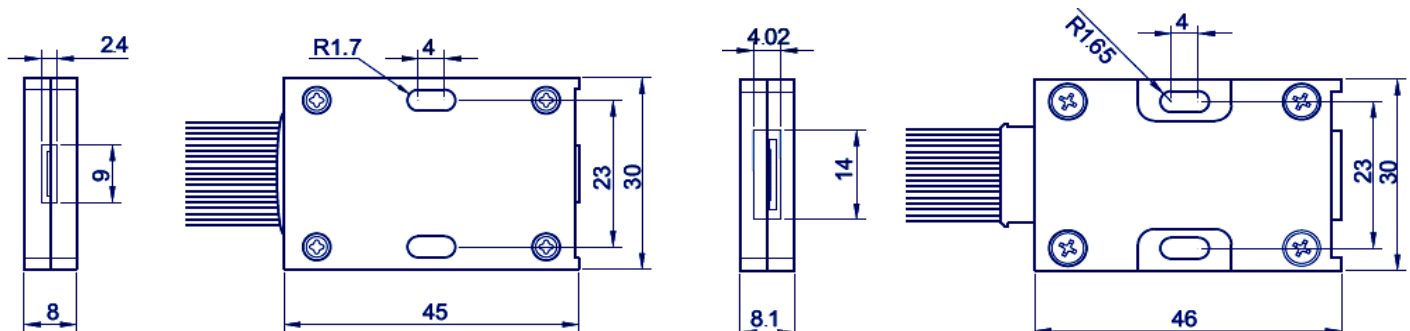
CTP Printing

Medical Use

Typical Device Performance (25°C)

Parameter	Typical Value		Unit
	GCTP-32-S(D)	GCTP-64-S(D)	
Fiber center interval	127		μm
Horizontal precision of fiber position	≤±1.5		μm
Vertical precision of fiber position	≤±3		μm
Transmission	>90		%
Fiber numbers	32	64	-
Fiber Core Diameter	60		μm
Fiber Cladding Diameter	125		μm
Numerical Aperture	0.14		-
Fiber Length	<5		m
Connector	ST/FC\SMA905		-

Package Dimensions (mm)



Fiber Number: 32

Fiber Number: 64

High Stability Pigtailed Grin Lens



Features:	
Small Stress	High Vibration Resistance
Different Image ratio Combination	Different wavelength
Applications:	
Laser coupling/ collimation	
Fiber Sensor	

Parameter	Typical Value			Unit
	GRIN-11	GRIN-23		
Intercept	0.11	0.23		-
Image ratio	1:0.5 1:1 1:2			-
Collimator	Customer design			-
Clear aperture (Ø)	1.8			mm
Incident angle	0°	0° 8°		-
Coating wavelength	600~700 ; 780~850 ; 900~1100		600~700 ; 780~850	nm
Core Diameter	50 ; 62.5 ; 105 ; 200			µm
Outer protection tube (Ø)	900			µm
Numerical Aperture	0.22			NA
Connector	ST\FC\SMA905			-

Dimensions (mm)

