

Laser Diode Module HQML-XXXX-YYY

Wavelength (25°C)	XXXX nm
Optical power output (25°C)	YYY mW
Light mode	CW & pulse, SM
Beam dimensions at output	≤3mm
Beam divergence (full angle)	<1mrad
Beam shape at the optic output	elliptic/round
Beam shape at the distance	elliptic/round
Polarization	100:1
Focus	Fixed
Beam pointing stability (constant temperature)	<0,1mrad
Alignment	≤10mrad
Wavelength stability (0+40°C)	<0,2nm
Power output stability (0+40°C, 2h)	<1%
Operating voltage	5V ± 10%
Operating current	<1,2A
Modulation	External digital (TTL) 10MHz External analog (0-5V) 10KHz
RWE	Better $\lambda/20$
Reverse polarity protection	+
Soft-switch	+
ESD protection	2kV
Warm-up time	<15sec
Operating temperature band	0°C+40°C
Vibration	15g@10...60Hz
Dimensions	Ø40mm x length 152mm
Contacts <ul style="list-style-type: none"> • power supply • modulation digital • modulation analog 	Wires, length 200mm, “+” - red,“-“ – black Port1 Port2
Collimator	HQ 3-lens glass, AR-coated both sides
Housing and power supply electrical connection	Painted aluminum, electrically isolated

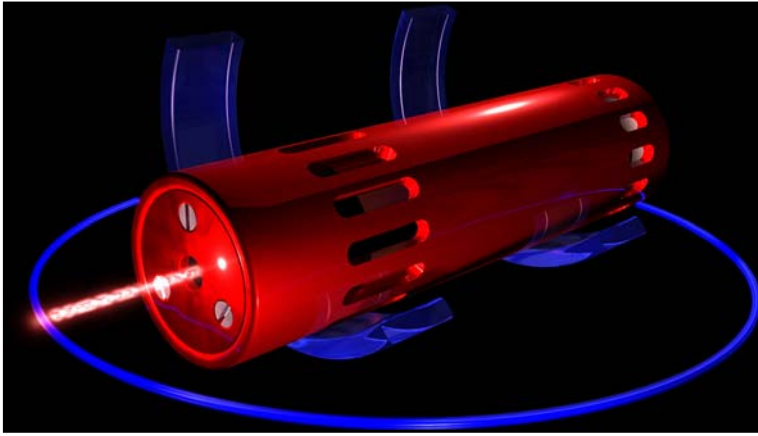


Electro Optical Components, Inc.

5460 Skylane Boulevard, Santa Rosa, CA 95403

Phone: (707) 568-1642 • FAX: (707) 568-1652

www.eoc-inc.com



Wavelength (XXXX)	Power output (YYY)
375nm	1mW – 20mW
405nm	1mW – 200mW
440nm	1mW – 50mW
473nm	1mW – 20mW
532nm	1mW – 30mW*
635nm	1mW – 30mW
640nm	1mW – 80mW
650nm	1mW – 10mW
660nm	1mW – 100mW
670nm	1mW – 30mW
680nm – 690nm	1mW – 50mW
730nm – 760nm	1mW – 30mW
780nm – 800nm	1mW – 100mW
808nm	1mw – 200mW
810nm – 820nm	1mW – 100mW
830nm – 850nm	1mW – 200mW
860nm – 1090nm	1mW – 100mW
1200nm – 1290nm	1mW – 20mW
1300nm – 1330nm	1mW – 50mW
1340nm – 1460nm	1mW – 15mW
1470nm – 1580nm	1mW – 150mW
1590nm – 1690nm	1mW – 15mW
1700nm – 2800nm	1mW – 20mW
2850nm – 3100nm	0.5mW – 1mW

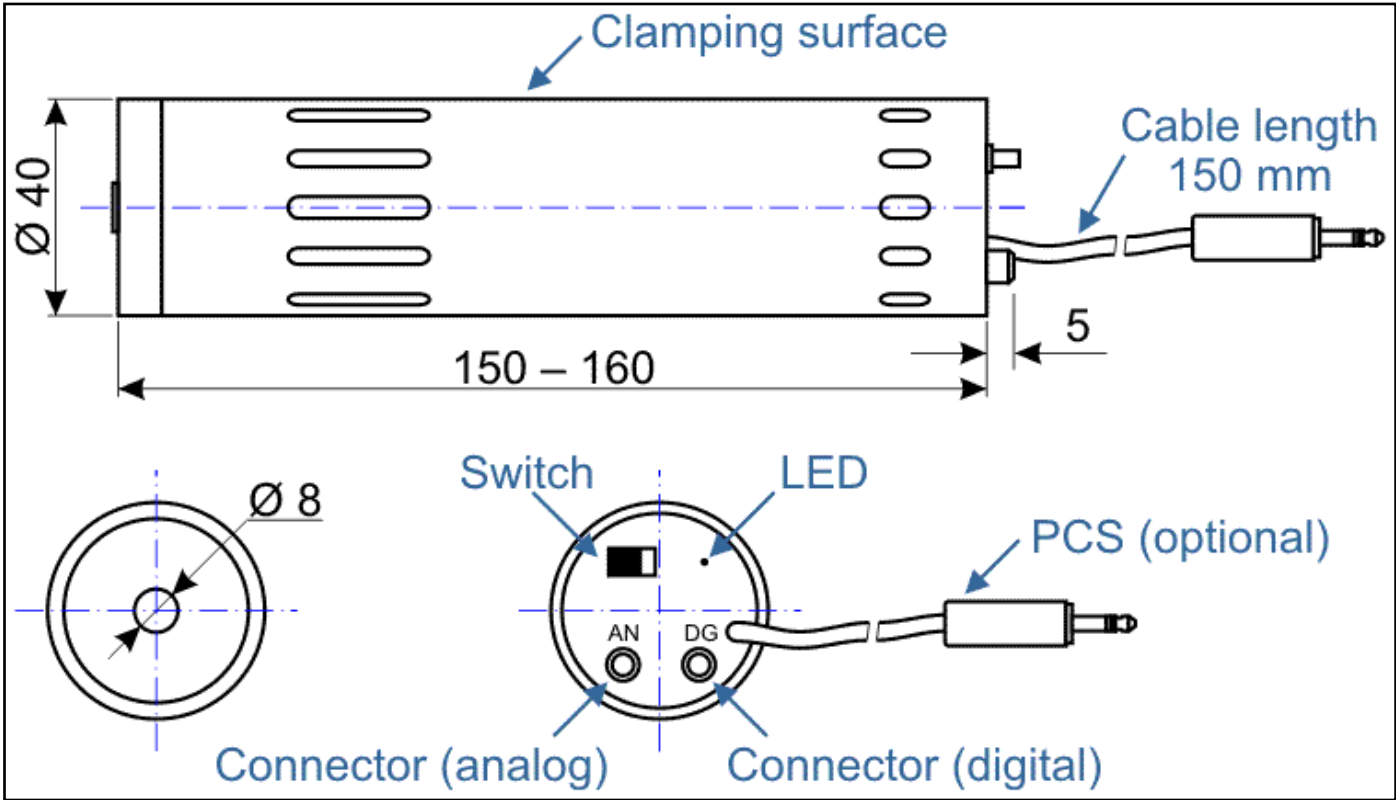
- Wavelength – XXXX
- Power output – YYY

* Modulation – digital 30KHz

For more information:

Electro Optical Components, 5460 Skyline Blvd., Santa Rosa, CA 95403
 Phone: (707) 568-1642 | Fax: (707) 568-1652 | Email: info@eoc-inc.com

Housing Drawing [mm]



Dimensions in mm
Tolerances +/- 0.2mm

For more information:
Electro Optical Components, 5460 Skyline Blvd., Santa Rosa, CA 95403
Phone: (707) 568-1642 | Fax: (707) 568-1652 | Email: info@eoc-inc.com