

UV-Photodiode JEP 5-365



- preliminary data sheet -

- characteristics :**
- ◆ GaP-Photodiode with integrated filter
 - ◆ spectral range (1% borders) 250 ... 400 nm
 - ◆ active area 4,8 mm²

- applications :**
- ◆ flame detection
 - ◆ UV-measurements

absolute maximum ratings:

reverse voltage	5	V
operating temperature range	- 10...+ 70	°C
storage temperature range	- 25...+ 100	°C
welding temperature (3s)	260	°C

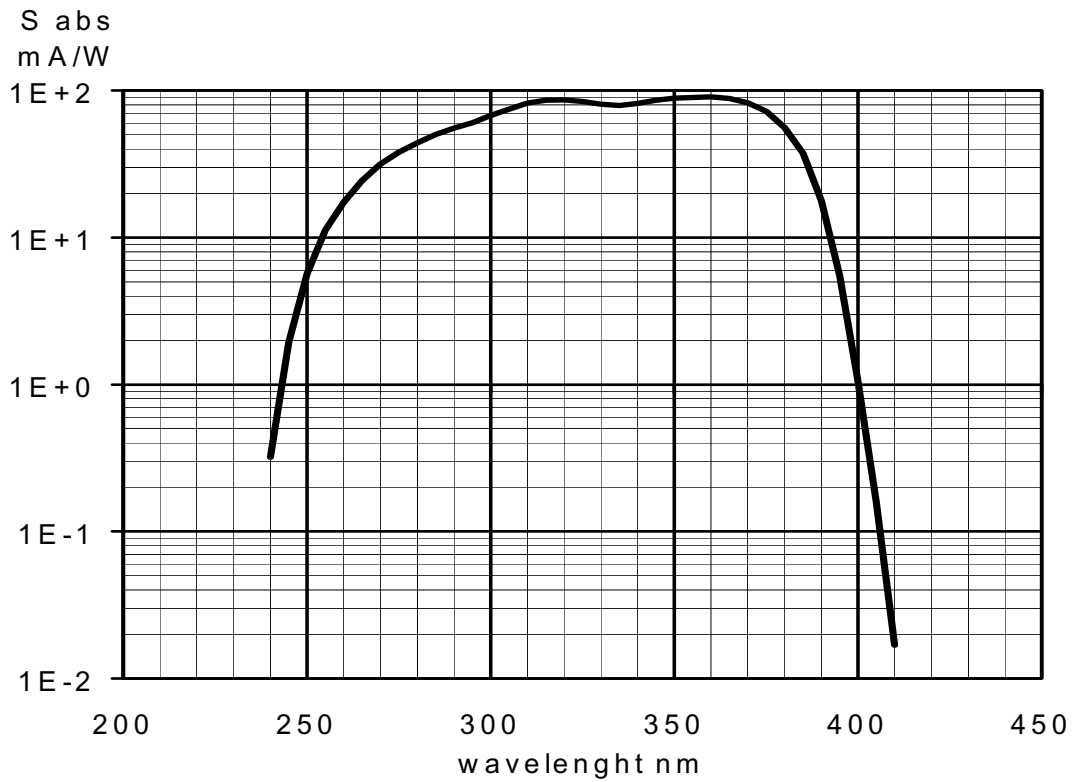
technical data :

common test conditions, if not otherwise specified: $\gamma_a = 25 \text{ }^\circ\text{C}$, $V_R = 0\text{V}$

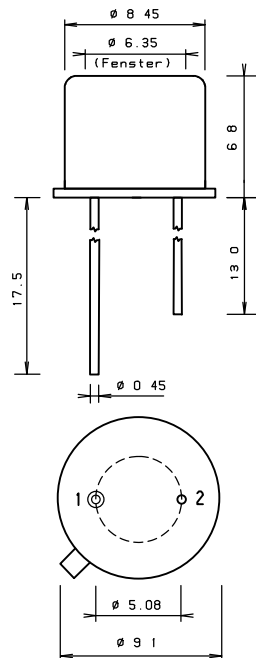
parameter	test conditions	min.	typ.	max.	unit
active area			4,8		mm ²
spectral range	$S = 0,1 \cdot S_{\max}$		250 400		nm
			λ_{\min} λ_{\max}		
maximum of spectral responsivity λ_p	$S = S_{\max}$		365		nm
absolute spectral responsivity	$\lambda = \lambda_p$		75		mA/W
dark current I_D	$V_R = 5 \text{ V}$		10	50	pA
rise time fall time of photo current	$R_L = 1 \text{ k}\Omega$ $\lambda = 365 \text{ nm}$		5		μs
capacitance	$f = 10 \text{ kHz}$		500		pF

rev 0 (03/2008)

absolute spectral responsivity

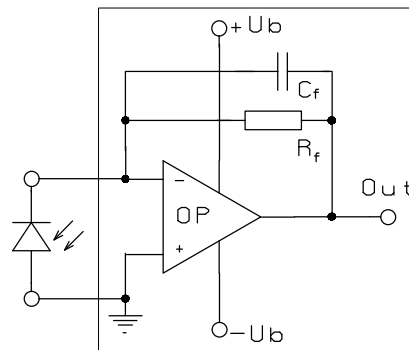


package dimensions



- 1 Anode
- 2 Katode & Case

application



For more information:

Electro Optical Components, 5460 Skyline Blvd., Santa Rosa, CA 95403
 Phone: (707) 568-1642 | Fax: (707) 568-1652 | Email: info@eoc-inc.com