

# UV - Photodetector with integrated amplifier

**JIC 167 C**  
**JIC 168 C**  
**JIC 169 C**



- characteristics :**
- ◆ integrated UV-C filter
  - ◆ spectral range 210 ... 280 nm
  - ◆ active area 0,965 mm<sup>2</sup>
  - ◆ responsivity, decadic staggering 0,8/8/80 mV/nW
  - ◆ extra sensor pin for external adjustment of gain and bandwidth
  - ◆ single supply voltage
  - ◆ sensor assembly isolated to ground
  - ◆ hermetically welded TO5-metal/glass package

- applications :**
- ◆ selective UV-measurement
  - ◆ control of sterilization lamps
  - ◆ flamedetection and flamecontrol
  - ◆ control of irradiancy in varnish and adhesive hardening

**absolute maximum ratings:**

supply voltage	+5,5	V
working temperature range	-25 °C ... +85	°C
storage temperature range	-40 °C ... +100	°C
welding temperature (5s)	300	°C

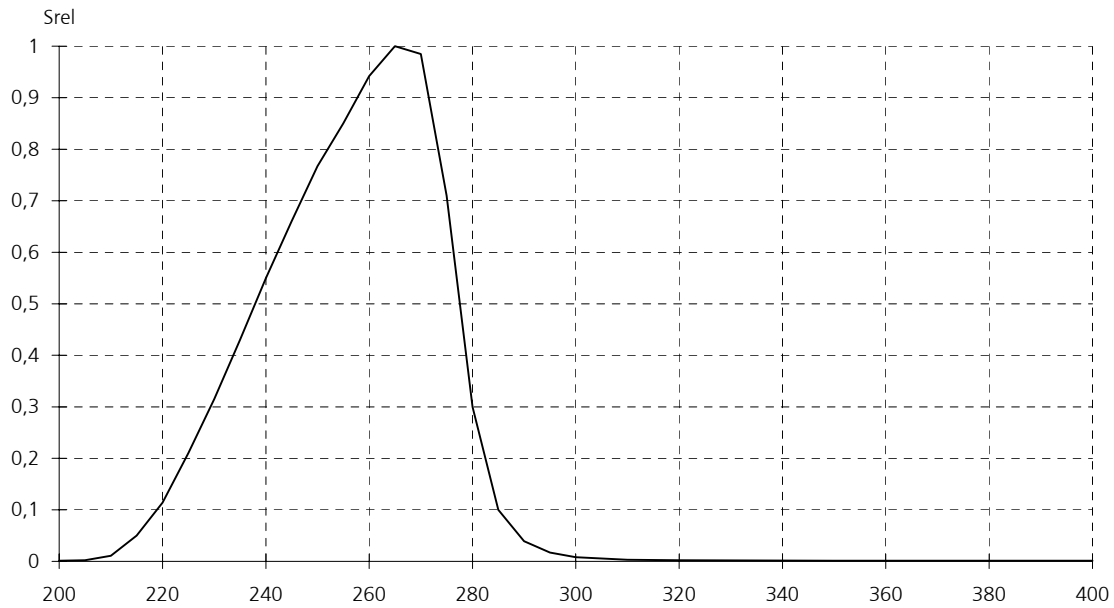
**technical data :**

common test conditions, as not otherwise specified:  $T_A = 25\text{ °C}$ ,  $V_S = +5\text{ V}$   
typ. values, maximum values in brackets

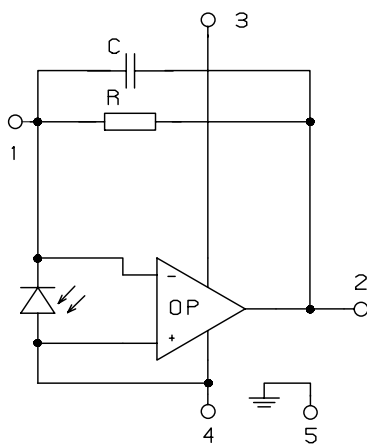
parameter	test condition	JIC167C	JIC168C	JIC169C	unit
feedback resistor		10	100	1.000	MΩ
dark offset voltage	E = 0 lx	± 1	± 2	± 3	mV
noise voltage	B = 1 kHz	1			mV <sub>rms</sub>
max. spectral responsivity	λ = 254 nm	0,6	6	60	mV/nW
risetime		30	150	600	μs
bandwidth	- 3 dB	10	2	0,5	kHz
saturation voltage	R <sub>L</sub> = 2 kΩ	+ 4,95 (+ 4,8)			V
short current		± 50			mA
supply voltage		+ 2,7...+ 5			V
current consumption		750 (1100)			μA

# JIC 167 C, 168 C, 169 C

## relative spectral responsivity

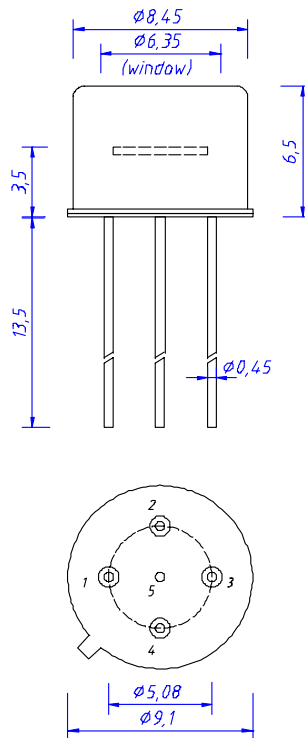


## pin configuration



- 1  $R_f$
- 2 Out
- 3  $V_s$
- 4 GND
- 5 Case

## package dimension



## application hints:

- If an external resistor for reduction of gain is used, please make sure that length of connectors is as short as possible to reduce noise and capacitive interference.
- If internally adjusted gain is used only, please cut pin „1“.