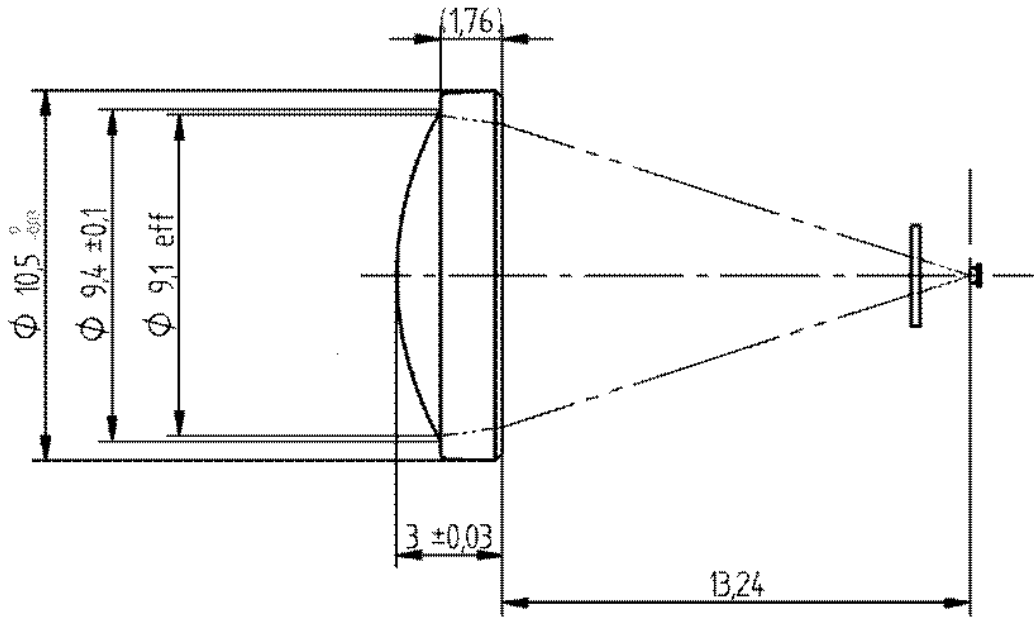


Aspherical Collimatorlens IML-136



Scale 5:1

Glas type	F2
Focal length	15 (780nm)
Laser to lens distance (through laser window).....	13,24 mm
Wavefront aberration (RMS)	<0,05 waves
Numerical apertur	0,30
Transmission	>97%
Laser window thickness (n=1,51)	0,3 mm
20.01.2004	