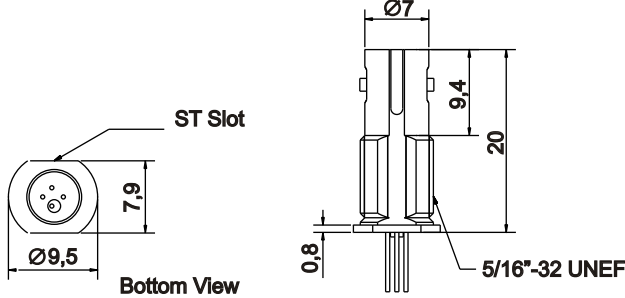
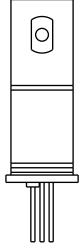
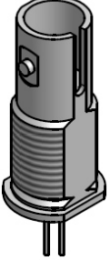
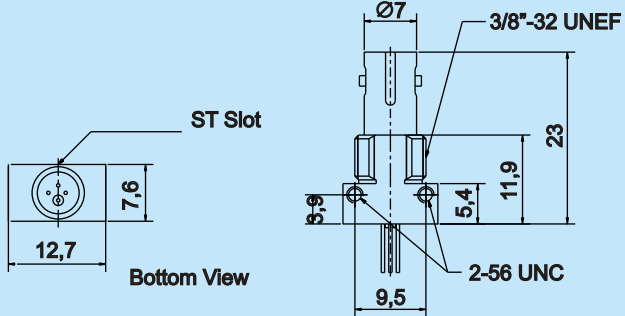
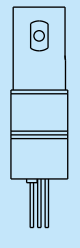
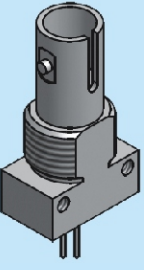
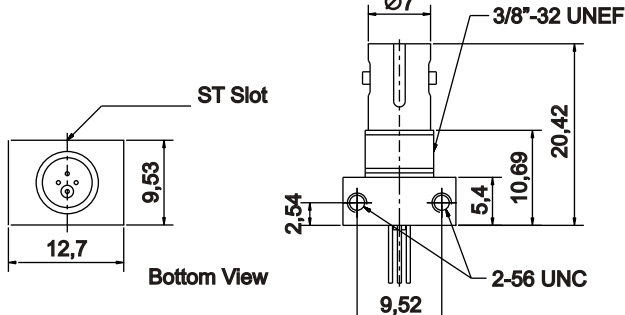
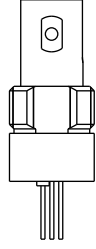
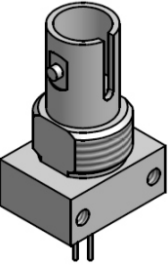
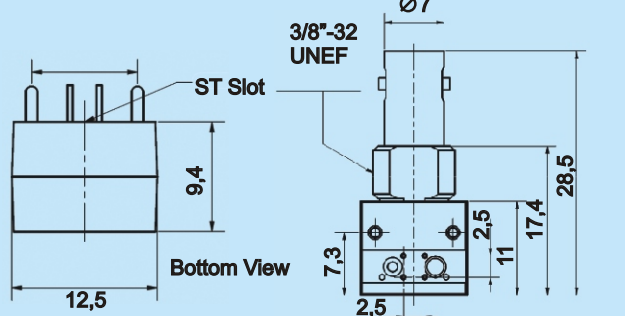
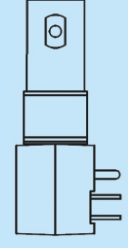
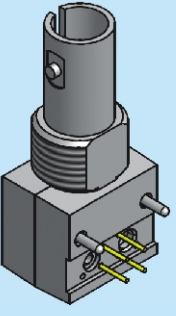
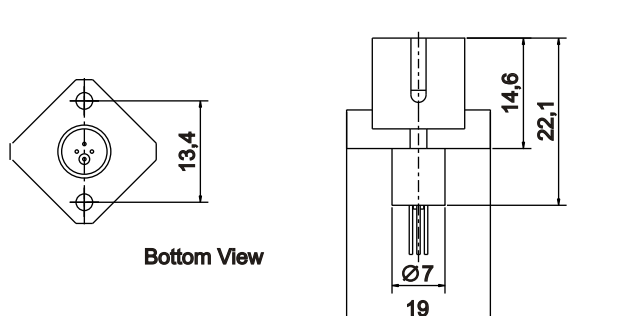
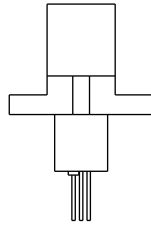
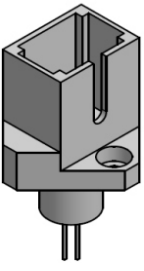


# Standard Casing for Receptacle

made in Germany

<p><b>ST1</b> TYPE A</p>	 <p>ST Slot</p> <p>Bottom View</p> <p>5/16"-32 UNEF</p>		
<p><b>ST2</b> TYPE A</p>	 <p>ST Slot</p> <p>Bottom View</p> <p>3/8"-32 UNEF</p> <p>2-56 UNC</p>		
<p><b>ST4</b> TYPE A</p>	 <p>ST Slot</p> <p>Bottom View</p> <p>3/8"-32 UNEF</p> <p>2-56 UNC</p>		
<p><b>FIBERDIP</b> TYPE A</p>	 <p>ST Slot</p> <p>Bottom View</p> <p>3/8"-32 UNEF</p>		
<p><b>SC</b> TYPE A</p>	 <p>Bottom View</p>		

Note: The above product specifications are subject to change without notice.