

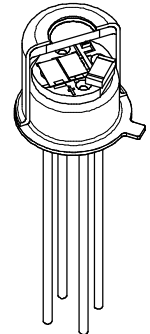
LIE-216-#

1.4 x 1.0 mm² pyroelectric IR detector
thermal compensated, potential-free TO18 housing

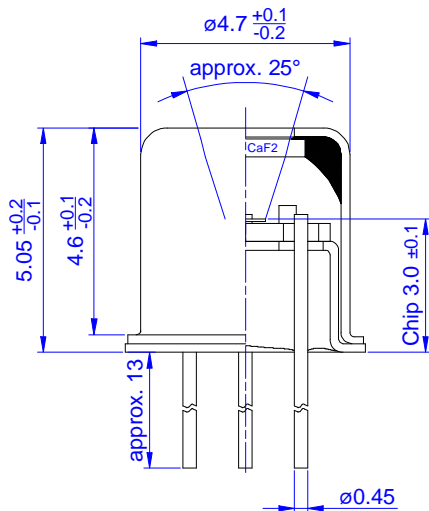
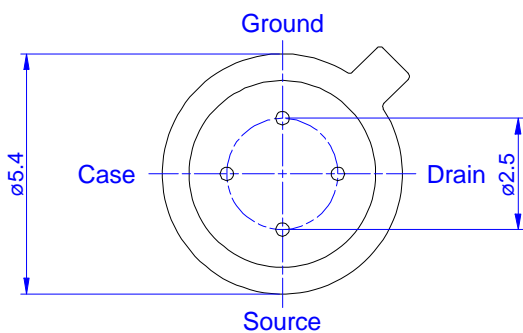
Description: LIE-216-#

[# = extension code]

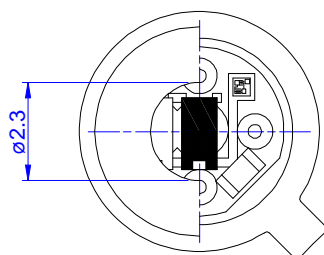
single element, area 1.4x1.0mm², thermal compensation; for voltage mode



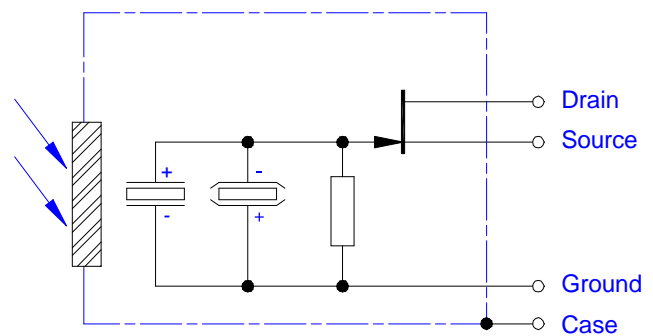
Housing:



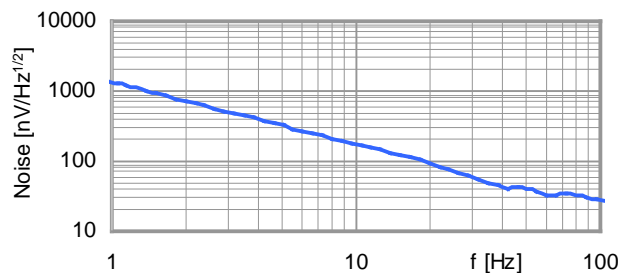
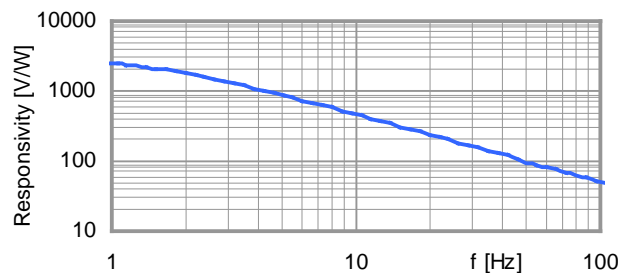
TO18 4Pin



Pin assignment:



Frequency response:



Standard Products

InfraTec GmbH
Infrarotsensorik und Messtechnik
Gostritzer Str.61-63
01217 Dresden / Germany
E-Mail: sensor@InfraTec.de
http://www.InfraTec.de

distributed by:

ELECTRO OPTICAL COMPONENTS, Inc.
5460 Skylane Blvd.
Santa Rosa, California 95403

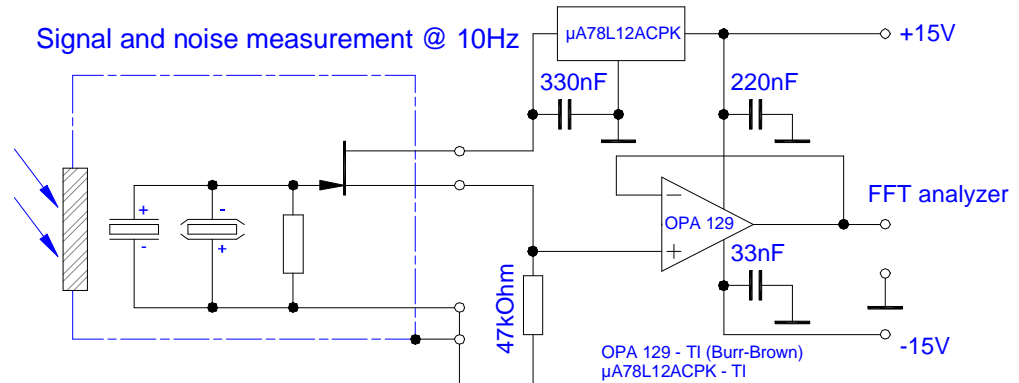


Tel: 707-568-1642
Fax: 707-568-1652
E-Mail: info@eoc-inc.com
http://www.eoc-inc.com

LIE-216-#

1.4 x 1.0 mm² pyroelectric IR detector
thermal compensated, potential-free TO18 housing

Test circuit:



Parameters:

Element size / type	nom	1.4x1.0 mm ² lithium-tantalate with black layer
Aperture	nom	ø2.3 mm
Thermal time constant	typ	150 ms
Electrical time constant	typ	4 s
Polarity	nom	positive signal by positive IR flux change
Voltage responsivity {500K, 10Hz, 25°C, without window}	min	450 V/W
Noise density {10Hz, BW 1Hz, 25°C}	max	220 nV/Hz ^{1/2}
Detectivity {500K, 10Hz, 1Hz, 25°C, without window}	min	2.4*10 ⁸ cmHz ^{1/2} /W
Offset voltage {I _{Dopt.} =10-100µA}	nom	0.4 ... 1.5 V
U _{DS}	max	18 V
Potential of detector case	nom	selectable potential between -24 ... +24V to Ground {EMC requires low-impedance coupling}
Operating / Storage temperature	nom	-25 ... +85°C
Window cap		All InfraTec windows and filters are available (except KBr and CsI). Customized filters upon request.

InfraTec reserves the right to change these specifications at any time without notification!
© InfraTec GmbH, September 12th 2005

InfraTec GmbH
Infrarotsensorik und Messtechnik
Gostritzer Str.61-63
01217 Dresden / Germany
E-Mail: sensor@InfraTec.de
http://www.InfraTec.de

distributed by:

ELECTRO OPTICAL COMPONENTS, Inc.
5460 Skylane Blvd.
Santa Rosa, California 95403



Tel: 707-568-1642
Fax: 707-568-1652
E-Mail: info@eoc-inc.com
http://www.eoc-inc.com