

Status  
active

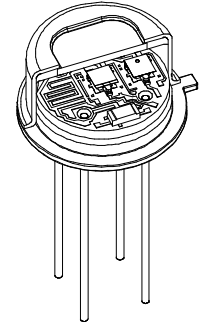
# LIE-235-#

1.3 x 1.3 mm<sup>2</sup> pyroelectric IR detector  
thermal compensated, CMOS preamplifier

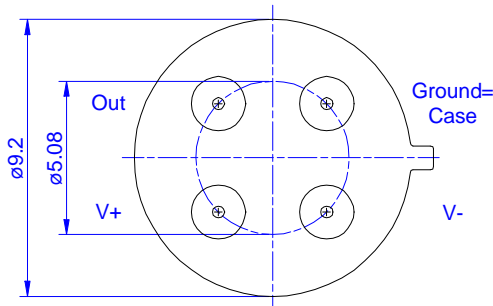
## Description: LIE-235-#

[# = extension code]

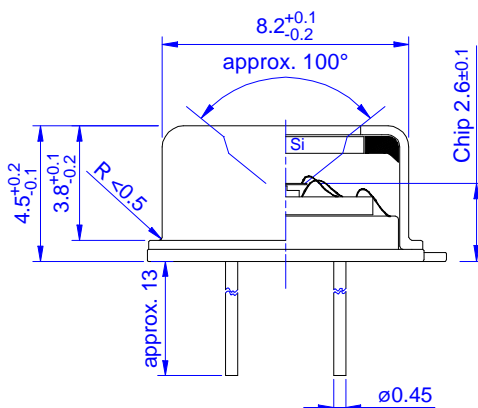
single element, area 1.3x1.3mm<sup>2</sup>, thermal compensation;  
for current mode, with micro power OpAmp; feedback R 100GOhm ±20% // C 0.20±0.1pF;  
very high gain



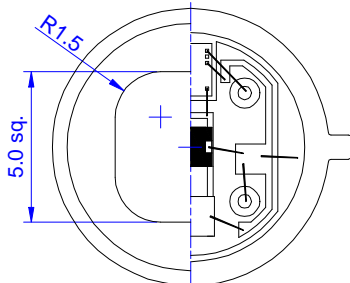
## Housing:



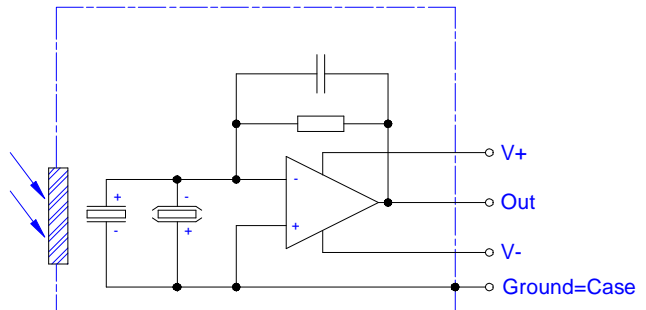
Maximum current between case and the "case"- pin 10 mA!



TO39 4Pin

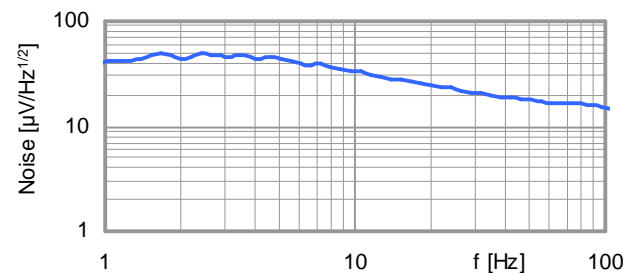
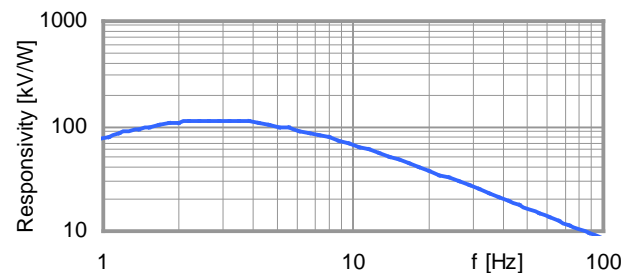


## Pin assignment:



Standard Products

## Frequency response:



**InfraTec GmbH**  
Infrarotsensorik und Messtechnik  
Gostritzer Str.61-63  
01217 Dresden / Germany  
E-Mail: sensor@InfraTec.de  
http://www.InfraTec.de

distributed by:

**ELECTRO OPTICAL COMPONENTS, Inc.**  
5460 Skylane Blvd.  
Santa Rosa, California 95403

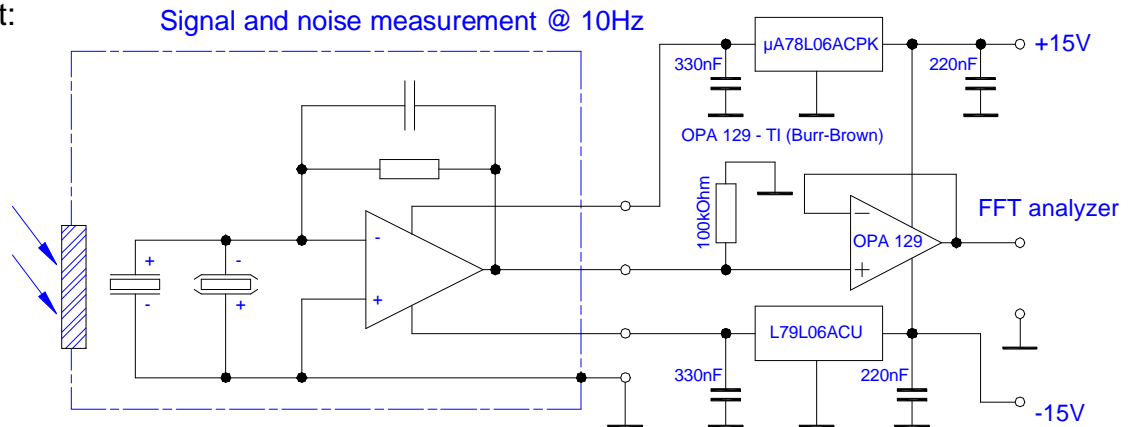


Tel: 707-568-1642  
Fax: 707-568-1652  
E-Mail: info@eoc-inc.com  
http://www.eoc-inc.com

## LIE-235-#

1.3 x 1.3 mm<sup>2</sup> pyroelectric IR detector  
thermal compensated, CMOS preamplifier

Test circuit:



Parameters:

Element size / type	nom	1.3x1.3 mm <sup>2</sup> lithium-tantalate with black layer
Aperture	nom	5.0 mm sq.
Thermal time constant	typ	150 ms
Feedback resistor	nom	100 GOhm ±20%
Feedback capacitor	nom	0.2±0.1 pF
Polarity	nom	negative signal by positive IR flux change
Voltage Responsivity {500K, 10Hz, 25°C, without window}	min	65,000 V/W
Noise density {10Hz, BW 1Hz, 25°C}	max	45 µV/Hz <sup>1/2</sup>
Detectivity {500K, 10Hz, 1Hz, 25°C, without window}	min	1.9*10 <sup>8</sup> cmHz <sup>1/2</sup> /W
CMOS operational amplifier	nom	OpAmp1 (for characteristics see application note)
Supply voltage V <sup>+</sup> - V <sup>-</sup>	max	16 V
Operating supply voltage V <sup>+</sup> / V <sup>-</sup>		+3.5 ... 8.0 V / -1.5 ... -8.0 V
Recommended supply voltage	nom	V <sup>+</sup> = +5 V; V <sup>-</sup> = -5 V
Supply current {output load 1MOhm}	max	50 µA
Offset voltage {25°C; output load 1MOhm}		-5 mV ... +5 mV
Optimal output load	nom	100 kOhm
Absolute output current	max	± 2 mA
Operating / Storage temperature	nom	-25 ... +85°C
Window cap		All InfraTec windows and filters are available (except KBr and CsI). Customized filters upon request.

InfraTec reserves the right to change these specifications at any time without notification!

© InfraTec GmbH, September 12<sup>th</sup> 2005

## InfraTec GmbH

Infrarotsensorik und Messtechnik  
Gostritzer Str.61-63

01217 Dresden / Germany

E-Mail: sensor@InfraTec.de

http://www.InfraTec.de

distributed by:

**ELECTRO OPTICAL COMPONENTS, Inc.**

5460 Skylane Blvd.

Santa Rosa, California 95403

Tel: 707-568-1642

Fax: 707-568-1652

E-Mail: info@eoc-inc.com

http://www.eoc-inc.com

