

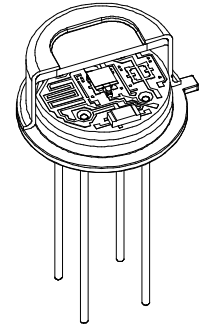
LIE-241-#

1.3 x 1.3 mm² pyroelectric IR detector
CMOS preamplifier

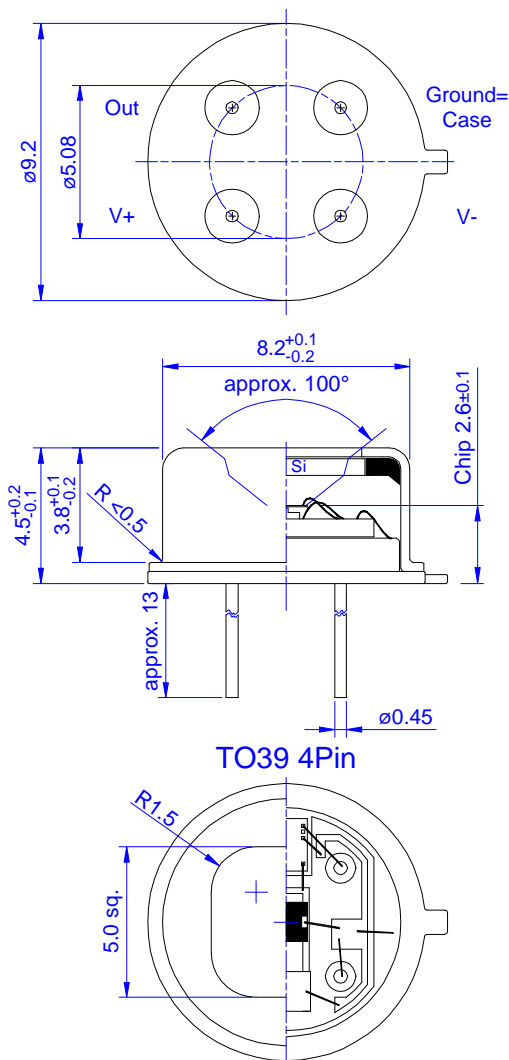
Description: LIE-241-#

[# = extension code]

single element, area 1.3x1.3mm²;
for current mode, with micro power OpAmp; feedback R 24GOhm ±10% // C 0.20±0.1pF; high gain

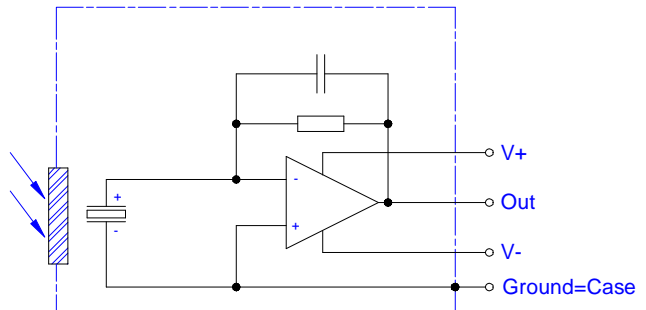


Housing:



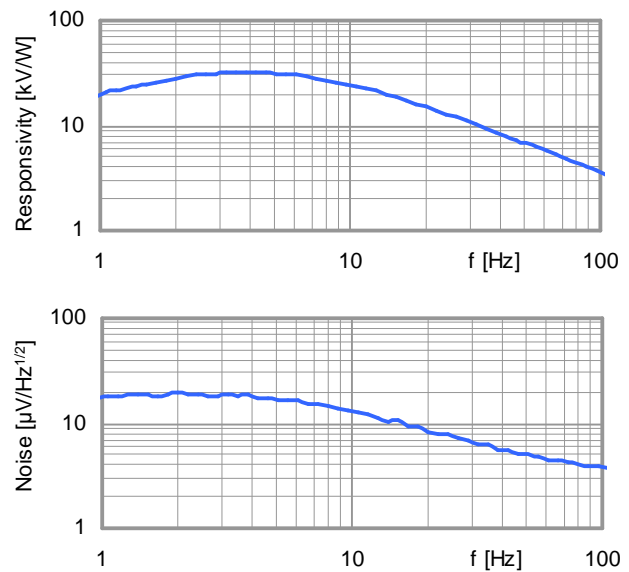
Maximum current between case and the "case"- pin 10 mA!

Pin assignment:



Standard Products

Frequency response:



InfraTec GmbH
Infrarotsensorik und Messtechnik
Gostritzer Str.61-63
01217 Dresden / Germany
E-Mail: sensor@InfraTec.de
http://www.InfraTec.de

distributed by:

ELECTRO OPTICAL COMPONENTS, Inc.
5460 Skylane Blvd.
Santa Rosa, California 95403

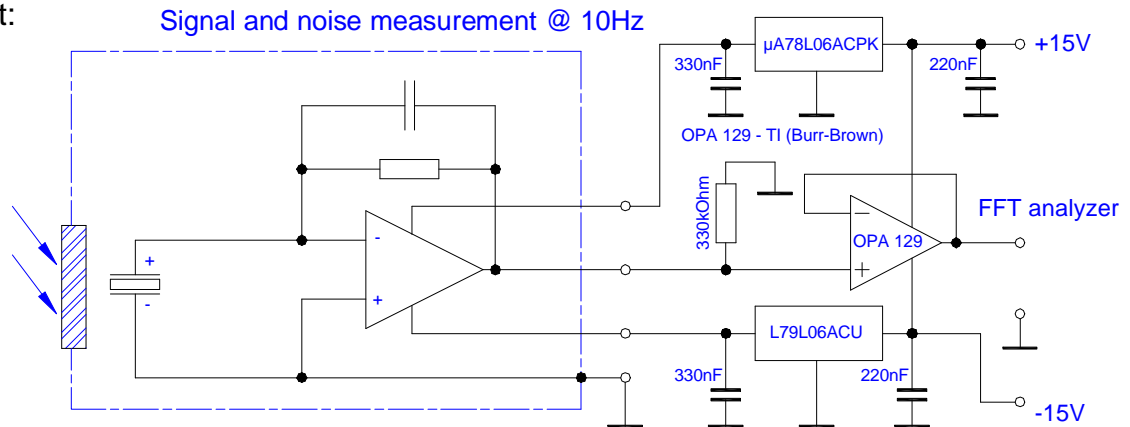


Tel: 707-568-1642
Fax: 707-568-1652
E-Mail: info@eoc-inc.com
http://www.eoc-inc.com

LIE-241-#

1.3 x 1.3 mm² pyroelectric IR detector
CMOS preamplifier

Test circuit:



Parameters:

Element size / type	nom	1.3x1.3 mm ² lithium-tantalate with black layer
Aperture	nom	5.0 mm sq.
Thermal time constant	typ	150 ms
Feedback resistor	nom	24 GOhm \pm 10%
Feedback capacitor	nom	0.68 \pm 0.1 pF
Polarity	nom	negative signal by positive IR flux change
Voltage Responsivity {500K, 10Hz, 25°C, without window}	min	22,000 V/W
Noise density {10Hz, BW 1Hz, 25°C}	max	18 μ V/Hz ^{1/2}
Detectivity {500K, 10Hz, 1Hz, 25°C, without window}	min	1.6*10 ⁸ cmHz ^{1/2} /W
CMOS operational amplifier	nom	OpAmp1 (for characteristics see application note)
Supply voltage V ⁺ - V ⁻	max	16 V
Operating supply voltage V ⁺ / V ⁻		+3.5 ... 8.0 V / -1.5 ... -8.0 V
Recommended supply voltage	nom	V ⁺ = +5 V; V ⁻ = -5 V
Supply current {output load 1MOhm}	max	50 μ A
Offset voltage {25°C; output load 1MOhm}		-5 mV ... +5 mV
Optimal output load	nom	100 kOhm
Absolute output current	max	\pm 2 mA
Operating / Storage temperature	nom	-25 ... +85°C
Window cap		All InfraTec windows and filters are available (except KBr and CsI). Customized filters upon request.

InfraTec reserves the right to change these specifications at any time without notification!

© InfraTec GmbH, September 12th 2005

InfraTec GmbH

Infrarotsensorik und Messtechnik
Gostritzer Str.61-63

01217 Dresden / Germany

E-Mail: sensor@InfraTec.de

http://www.InfraTec.de

distributed by:

ELECTRO OPTICAL COMPONENTS, Inc.

5460 Skylane Blvd.

Santa Rosa, California 95403

Tel: 707-568-1642

Fax: 707-568-1652

E-Mail: info@eoc-inc.com

http://www.eoc-inc.com

