

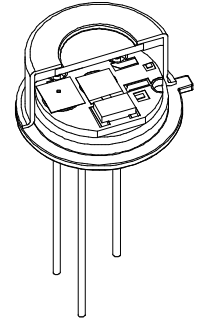
# LIE-316-#

2.0 x 2.0 mm<sup>2</sup> pyroelectric IR detector  
thermal compensated, JFET

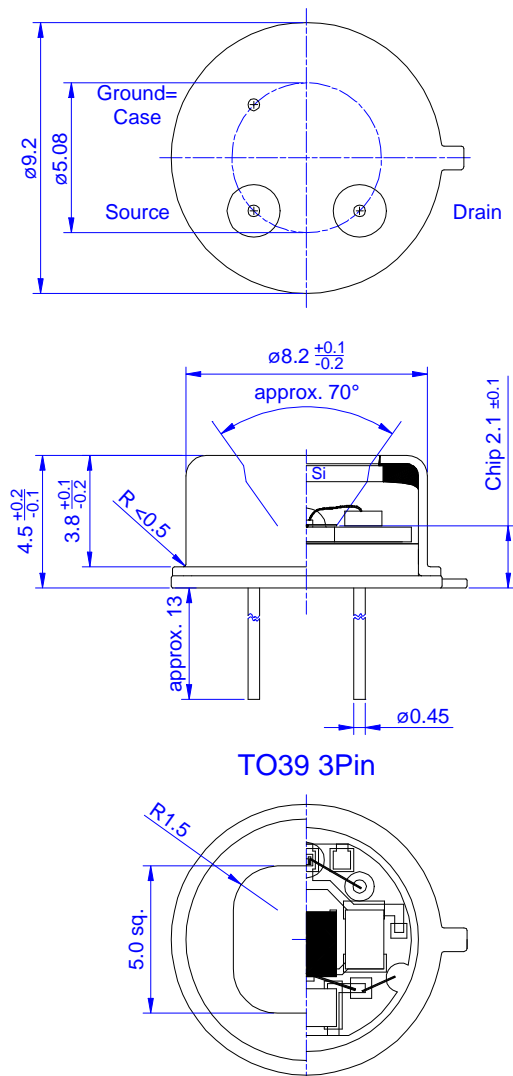
Description: LIE-316-#

[# = extension code]

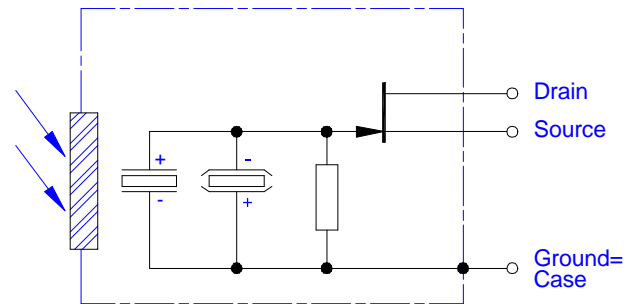
single element, area 2.0x2.0mm<sup>2</sup>, thermal compensation; for voltage mode



Housing:



Pin assignment:



Standard Products

**InfraTec GmbH**  
Infrarotsensorik und Messtechnik  
Gostritzer Str.61-63  
01217 Dresden / Germany  
E-Mail: sensor@InfraTec.de  
http://www.InfraTec.de

distributed by:

**ELECTRO OPTICAL COMPONENTS, Inc.**  
5460 Skylane Blvd.  
Santa Rosa, California 95403



Tel: 707-568-1642  
Fax: 707-568-1652  
E-Mail: info@eoc-inc.com  
http://www.eoc-inc.com

