

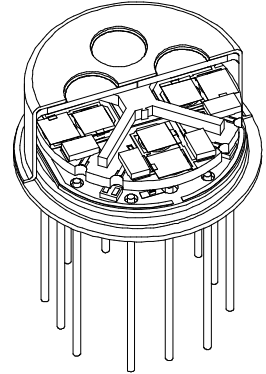
LIM-214-#

Quad channel pyroelectric multicolor detector thermal compensated (PyroMid®)

Description: LIM-214-#

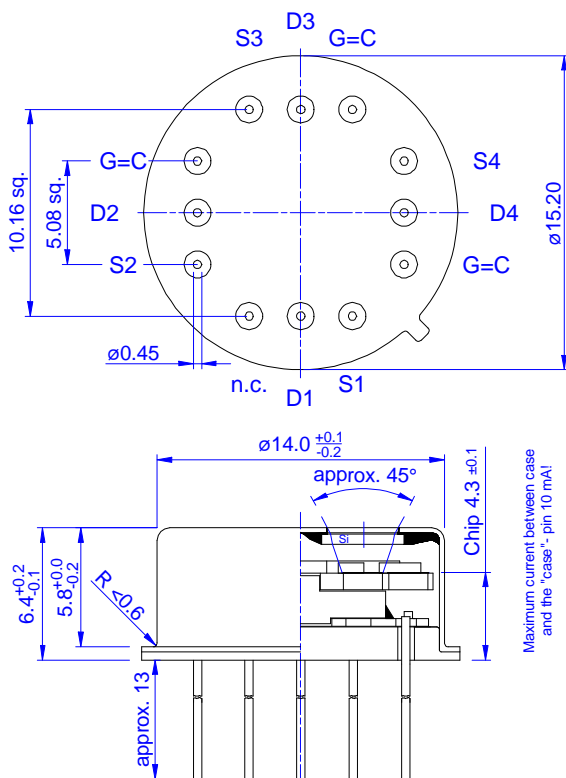
[# = extension code]

quad color, TO8 housing, parallel compensated for high temperature ramp stability; for voltage mode

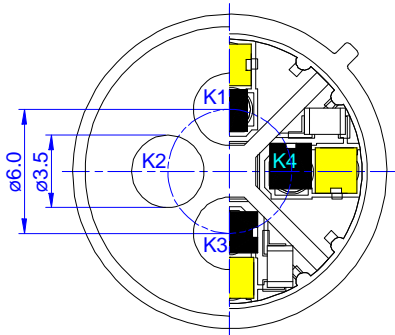


PyroMid® detectors are State-of-the-art, cost effective, multicolor detectors for virtually any infrared application.

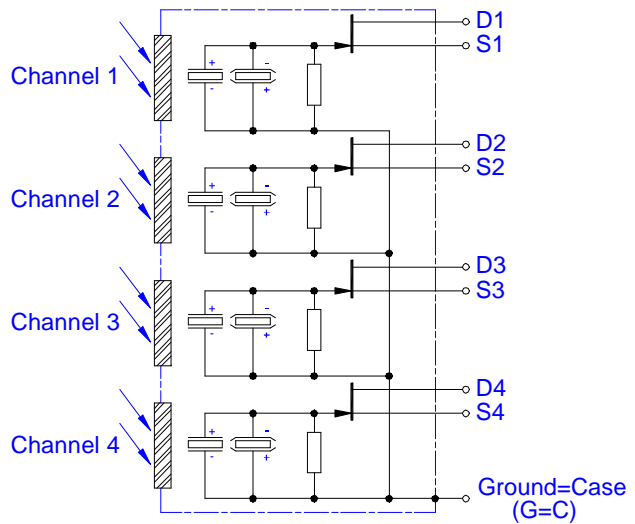
Housing:



TO8 / 0.6" 12Pin



Pin assignment:



Multi-color Products

InfraTec GmbH
Infrarotsensorik und Messtechnik
Gostritzer Str.61-63
01217 Dresden / Germany
E-Mail: sensor@InfraTec.de
http://www.InfraTec.de

distributed by:

ELECTRO OPTICAL COMPONENTS, Inc.
5460 Skylane Blvd.
Santa Rosa, California 95403

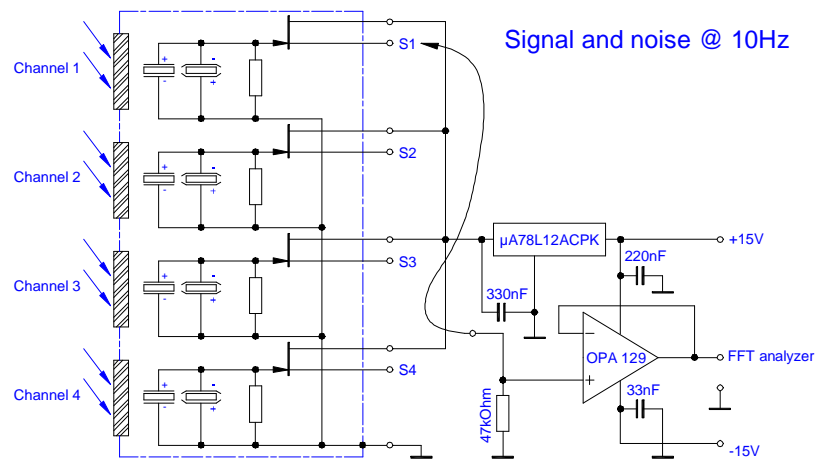


Tel: 707-568-1642
Fax: 707-568-1652
E-Mail: info@eoc-inc.com
http://www.eoc-inc.com

LIM-214-#

Quad channel pyroelectric multicolor detector
thermal compensated (PyroMid®)

Test circuit:



Parameters:

Aperture size	nom	ø9.5 mm, single channel ø3.5 mm
Element size / type	nom	2.0x2.0 mm ² lithium tantalate with black layer
Thermal time constant	typ	100 ms
Electrical time constant	typ	4 s
Polarity	nom	positive signal by positive IR flux change
Voltage responsivity {500K, 10Hz, 25°C, without window}	min	150 V/W
Noise density {10Hz, BW 1Hz, 25°C}	max	120 nV/Hz ^{1/2}
Detectivity {500K, 10Hz, 1Hz, 25°C, without window}	min	2.6*10 ⁸ cmHz ^{1/2} /W
Offset voltage {I _{Dopt.} =10-100µA}	nom	0.4 ... 1.5 V
U _{DS}	max	18 V
Operating / Storage temperature	nom	-25 ... +85°C
Window cap		Combinations of all InfraTec standard narrow band pass filters are available. Customized filters upon request.

InfraTec reserves the right to change these specifications at any time without notification!
© InfraTec GmbH, September 12th 2005

InfraTec GmbH
Infrarotsensorik und Messtechnik
Gostritzer Str.61-63
01217 Dresden / Germany
E-Mail: sensor@InfraTec.de
http://www.InfraTec.de

distributed by:

ELECTRO OPTICAL COMPONENTS, Inc.
5460 Skylane Blvd.
Santa Rosa, California 95403



Tel: 707-568-1642
Fax: 707-568-1652
E-Mail: info@eoc-inc.com
http://www.eoc-inc.com