

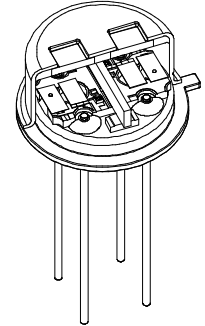
LIM-222-#

Dual channel pyroelectric multicolor detector thermal compensated (PyroMid®)

Description: LIM-222-#

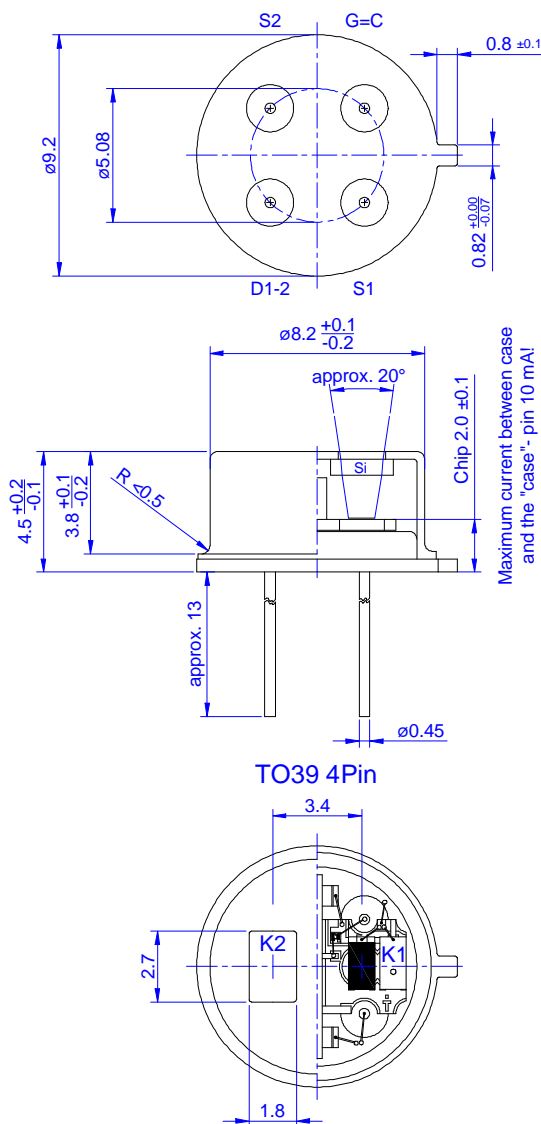
[# = extension code]

dual color, TO39 housing, thermal compensated; for voltage mode

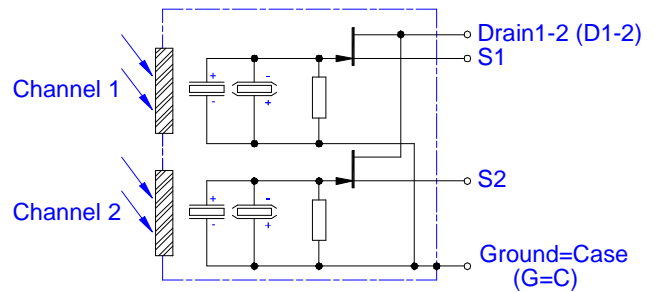


PyroMid® detectors are State-of-the-art, cost effective, multicolor detectors for virtually any infrared application.

Housing:



Pin assignment:



Multi-color Products

**InfraTec GmbH**  
 Infrarotsensorik und Messtechnik  
 Gostritzer Str.61-63  
 01217 Dresden / Germany  
 E-Mail: sensor@InfraTec.de  
 http://www.InfraTec.de

distributed by:

**ELECTRO OPTICAL COMPONENTS, Inc.**  
 5460 Skylane Blvd.  
 Santa Rosa, California 95403

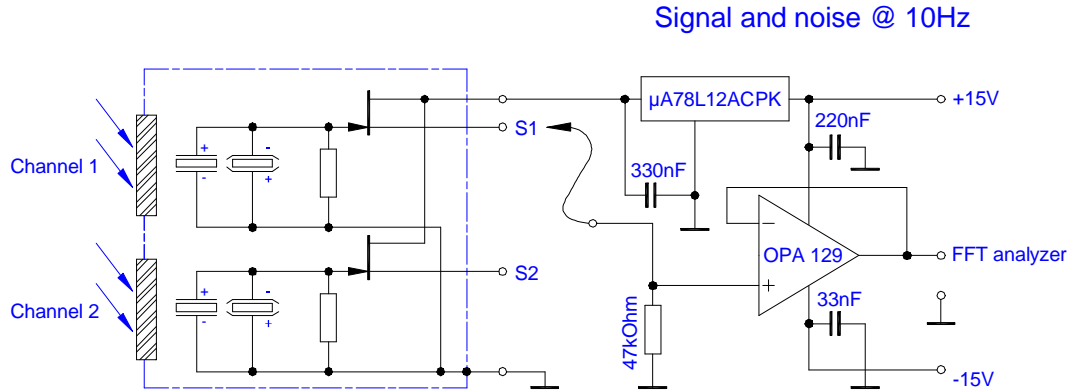


Tel: 707-568-1642  
 Fax: 707-568-1652  
 E-Mail: info@eoc-inc.com  
 http://www.eoc-inc.com

## LIM-222-#

Dual channel pyroelectric multicolor detector  
thermal compensated (PyroMid®)

Test circuit:



Parameters:

Aperture size	nom	ø6.0 mm, single channel 2.7x1.8 mm <sup>2</sup>
Element size / type	nom	1.0x2.0 mm <sup>2</sup> lithium tantalate with black layer
Thermal time constant	typ	100 ms
Electrical time constant	typ	6 s
Polarity	nom	positive signal by positive IR flux change
Voltage responsivity {500K, 10Hz, 25°C, without window}	min	280 V/W
Noise density {10Hz, BW 1Hz, 25°C}	max	150 nV/Hz <sup>1/2</sup>
Detectivity {500K, 10Hz, 1Hz, 25°C, without window}	min	2.6*10 <sup>8</sup> cmHz <sup>1/2</sup> /W
Offset voltage {I <sub>Dopt.</sub> =10-100μA}	nom	0.4 ... 1.5 V
U <sub>DS</sub>	max	18 V
Operating / Storage temperature	nom	-25 ... +85°C
Window cap		Combinations of all InfraTec standard narrow band pass filters are available. Customized filters upon request.

InfraTec reserves the right to change these specifications at any time without notification!  
© InfraTec GmbH, September 12<sup>th</sup> 2005

**InfraTec GmbH**  
Infrarotsensorik und Messtechnik  
Gostritzer Str.61-63  
01217 Dresden / Germany  
E-Mail: sensor@InfraTec.de  
http://www.InfraTec.de

distributed by:

**ELECTRO OPTICAL COMPONENTS, Inc.**  
5460 Skylane Blvd.  
Santa Rosa, California 95403



Tel: 707-568-1642  
Fax: 707-568-1652  
E-Mail: info@eoc-inc.com  
http://www.eoc-inc.com