

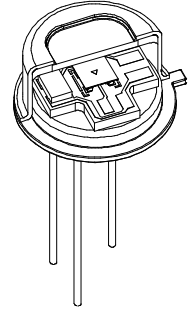
LME-501-#

3.0 x 3.0 mm² pyroelectric IR detector without amplifier electronics

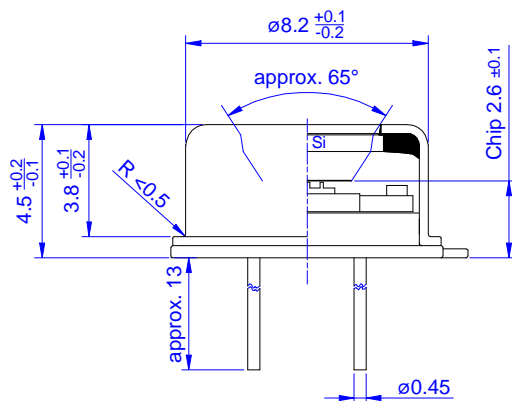
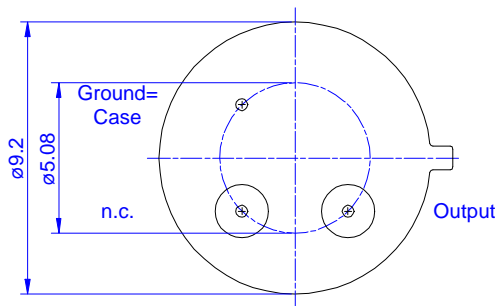
Description: LME-501-#

[# = extension code]

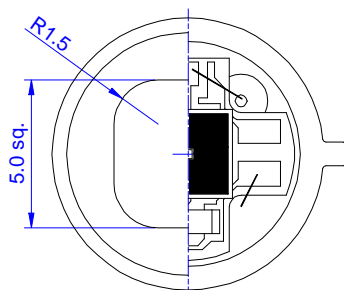
single element, area 3x3mm², ultra low microphonic effect; for current mode



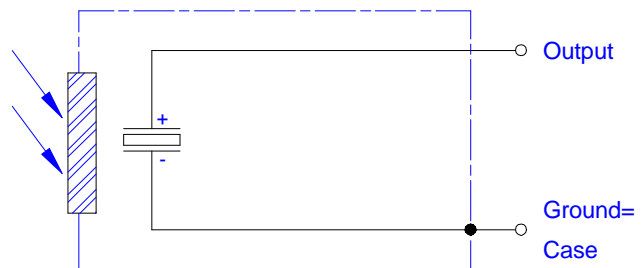
Housing:



TO39 3Pin



Pin assignment:



Standard Products

InfraTec GmbH
 Infrarotsensorik und Messtechnik
 Gostritzer Str.61-63
 01217 Dresden / Germany
 E-Mail: sensor@InfraTec.de
 http://www.InfraTec.de

distributed by:

ELECTRO OPTICAL COMPONENTS, Inc.
 5460 Skylane Blvd.
 Santa Rosa, California 95403

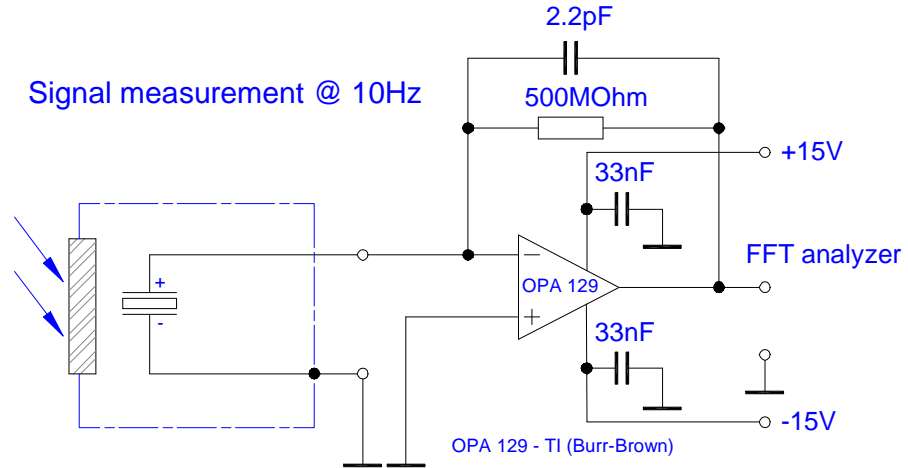


Tel: 707-568-1642
 Fax: 707-568-1652
 E-Mail: info@eoc-inc.com
 http://www.eoc-inc.com

LME-501-#

3.0 x 3.0 mm² pyroelectric IR detector without amplifier electronics

Test circuit:



Parameters:

Element size / type	nom	3.0x3.0 mm ² lithium-tantalate with black layer
Aperture	nom	5.0 mm sq.
Thermal time constant	typ	200 ms
Polarity	nom	positive signal by positive IR flux change
Current responsivity (element only) {500K, 10Hz, 25°C, without window}	min	1.5 μA/W
Element capacitance {1kHz, 1V, 25°C}	typ	120 pF
Element dielectric loss {1kHz, 1V, 25°C}	max	0.001
Operating / Storage temperature	nom	-25 ... +85°C
Window cap		All InfraTec windows and filters are available (except KBr and CsI). Customized filters upon request.

InfraTec reserves the right to change these specifications at any time without notification!
© InfraTec GmbH, September 12th 2005

InfraTec GmbH
Infrarotsensorik und Messtechnik
Gostritzer Str.61-63
01217 Dresden / Germany
E-Mail: sensor@InfraTec.de
http://www.InfraTec.de

distributed by:

ELECTRO OPTICAL COMPONENTS, Inc.
5460 Skylane Blvd.
Santa Rosa, California 95403



Tel: 707-568-1642
Fax: 707-568-1652
E-Mail: info@eoc-inc.com
http://www.eoc-inc.com