

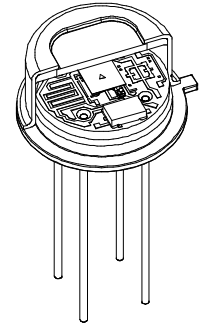
LME-551-#

3.0 x 3.0 mm² pyroelectric IR detector
CMOS preamplifier

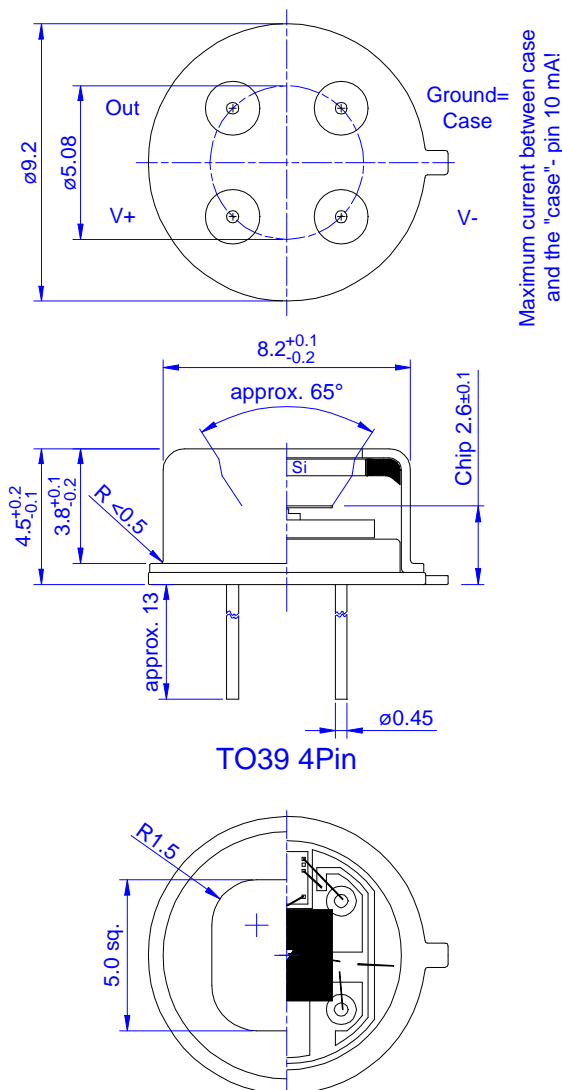
Description: LME-551-#

[# = extension code]

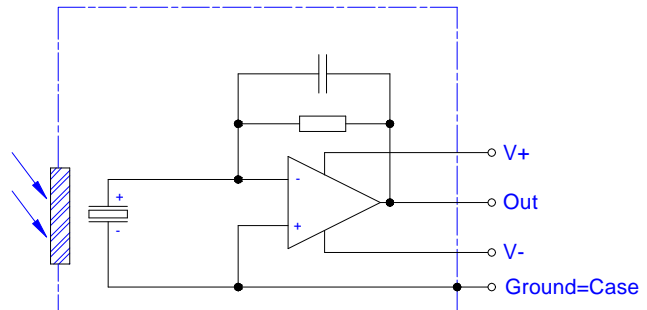
single element, area 3.0x3.0mm², ultra low microphonic effect;
for current mode, with micro power OpAmp; feedback R 5GOhm ±10% // C 0.20±0.1pF; medium gain



Housing:

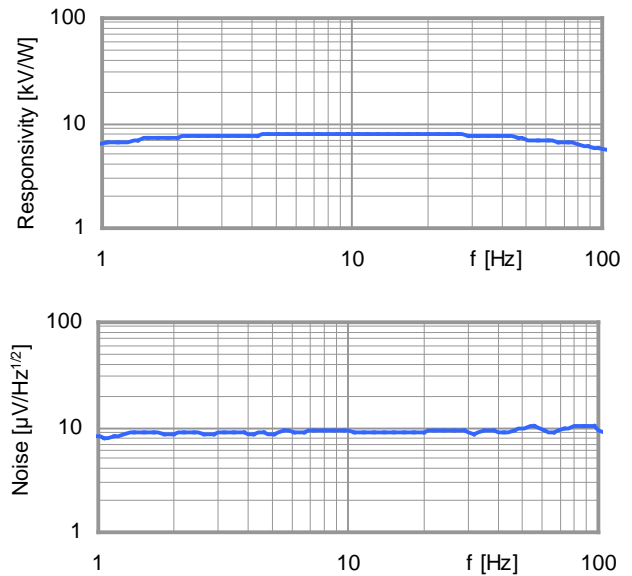


Pin assignment:



Standard Products

Frequency response:



InfraTec GmbH
Infrarotsensorik und Messtechnik
Gostritzer Str.61-63
01217 Dresden / Germany
E-Mail: sensor@InfraTec.de
http://www.InfraTec.de

distributed by:

ELECTRO OPTICAL COMPONENTS, Inc.
5460 Skylane Blvd.
Santa Rosa, California 95403

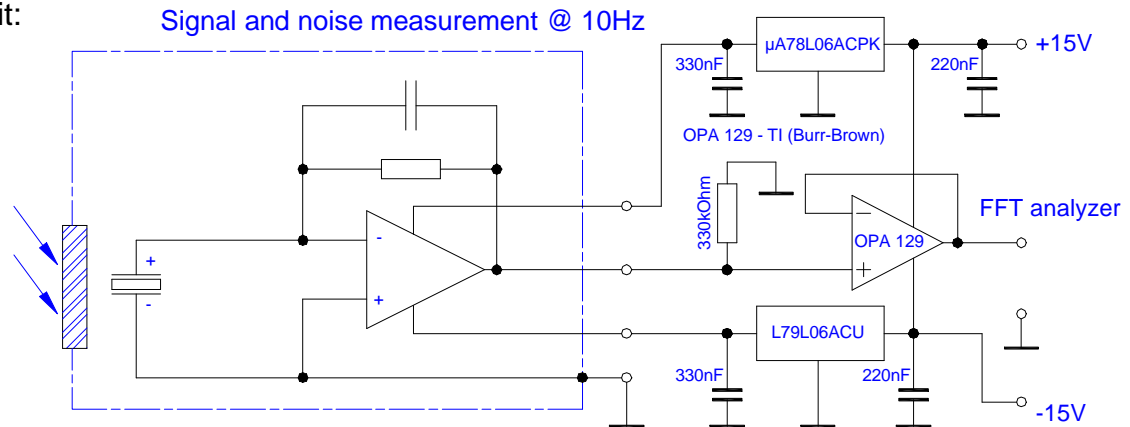


Tel: 707-568-1642
Fax: 707-568-1652
E-Mail: info@eoc-inc.com
http://www.eoc-inc.com

LME-551-#

3.0 x 3.0 mm² pyroelectric IR detector
CMOS preamplifier

Test circuit:



Parameters:

Element size / type	nom	3.0x3.0 mm ² lithium-tantalate with black layer
Aperture	nom	5.0 mm sq.
Thermal time constant	typ	200 ms
Feedback resistor	nom	5 GOhm ±10%
Feedback capacitor	nom	0.2±0.1 pF
Polarity	nom	negative signal by positive IR flux change
Voltage Responsivity {500K, 10Hz, 25°C, without window}	min	6,500 V/W
Noise density {10Hz, BW 1Hz, 25°C}	max	12 μV/Hz ^{1/2}
Detectivity {500K, 10Hz, 1Hz, 25°C, without window}	min	1.6*10 ⁸ cmHz ^{1/2} /W
Acceleration response {5 ... 200Hz}	typ	300 μV/g; g=9.81m/s ²
CMOS operational amplifier	nom	OpAmp2 (for characteristics see application note)
Supply voltage V ⁺ - V ⁻	max	16 V
Operating supply voltage V ⁺ / V ⁻		+2.2 ... 8.0 V / -2.2 ... -8.0 V
Recommended supply voltage	nom	V ⁺ = +5 V; V ⁻ = -5 V
Supply current {output load 1MOhm}	max	150 μA
Offset voltage {25°C; output load 1MOhm}		-5 mV ... +5 mV
Optimal output load	nom	330 kOhm
Absolute output current	max	± 0.4 mA
Operating / Storage temperature	nom	-25 ... +85°C
Window cap		All InfraTec windows and filters are available (except KBr and CsI). Customized filters upon request.

InfraTec reserves the right to change these specifications at any time without notification!
© InfraTec GmbH, November 04th 2005

InfraTec GmbH

Infrarotsensorik und Messtechnik
Gostritzer Str.61-63

01217 Dresden / Germany

E-Mail: sensor@InfraTec.de
http://www.InfraTec.de

distributed by:

ELECTRO OPTICAL COMPONENTS, Inc.

5460 Skylane Blvd.

Santa Rosa, California 95403

Tel: 707-568-1642

Fax: 707-568-1652

E-Mail: info@eoc-inc.com

http://www.eoc-inc.com

