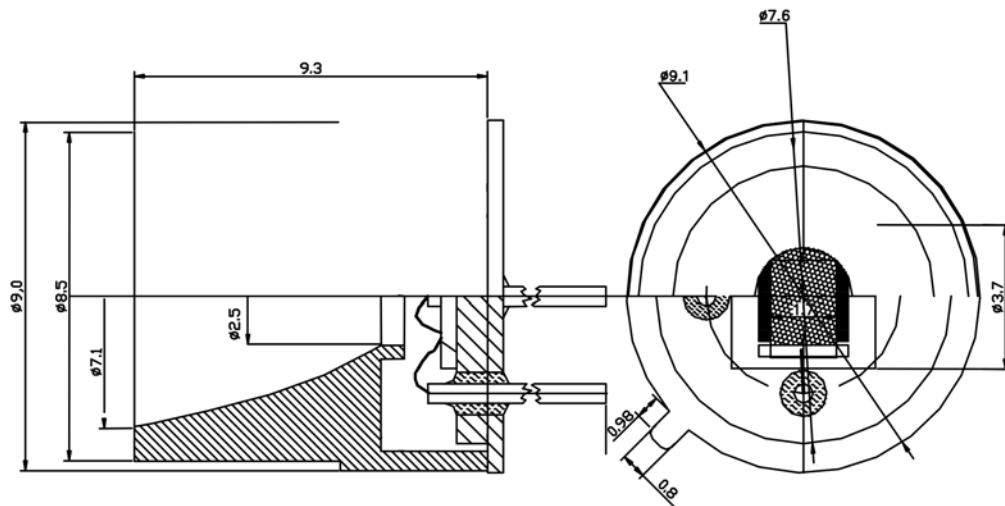


## Collimating Optics for Pulsed Infrared Light Source MIRL 17-900 AND MIRL 8-300

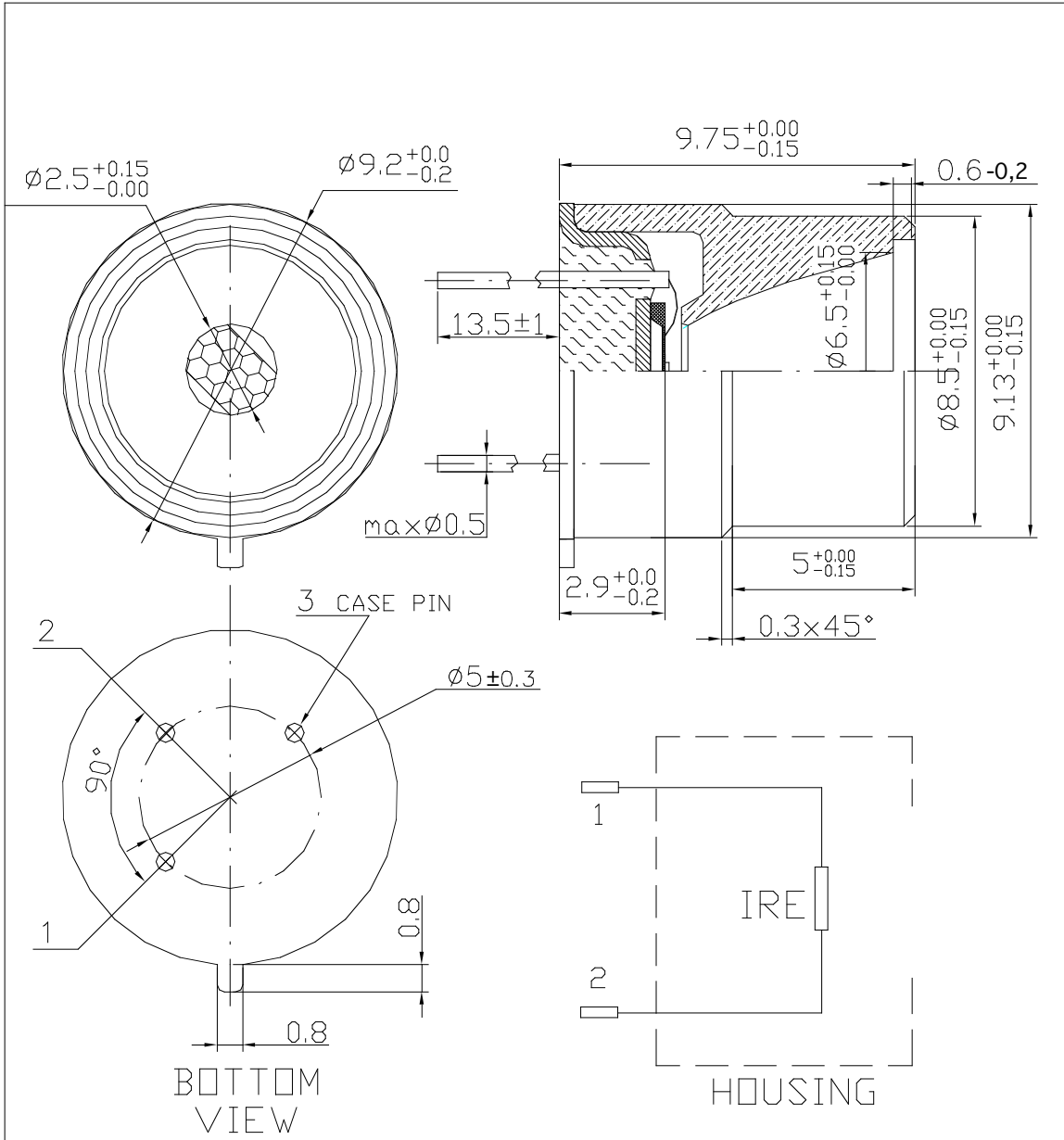
With a parabolic reflecting optical element, the on-axis output of the MIRL 17-900 pulsed infrared light source is increased by 10x – 12x at distances from 2 cm to 10 cm. The package is 9.0 mm in diameter and 9.5 mm long.



**Electro Optical Components, Inc.**

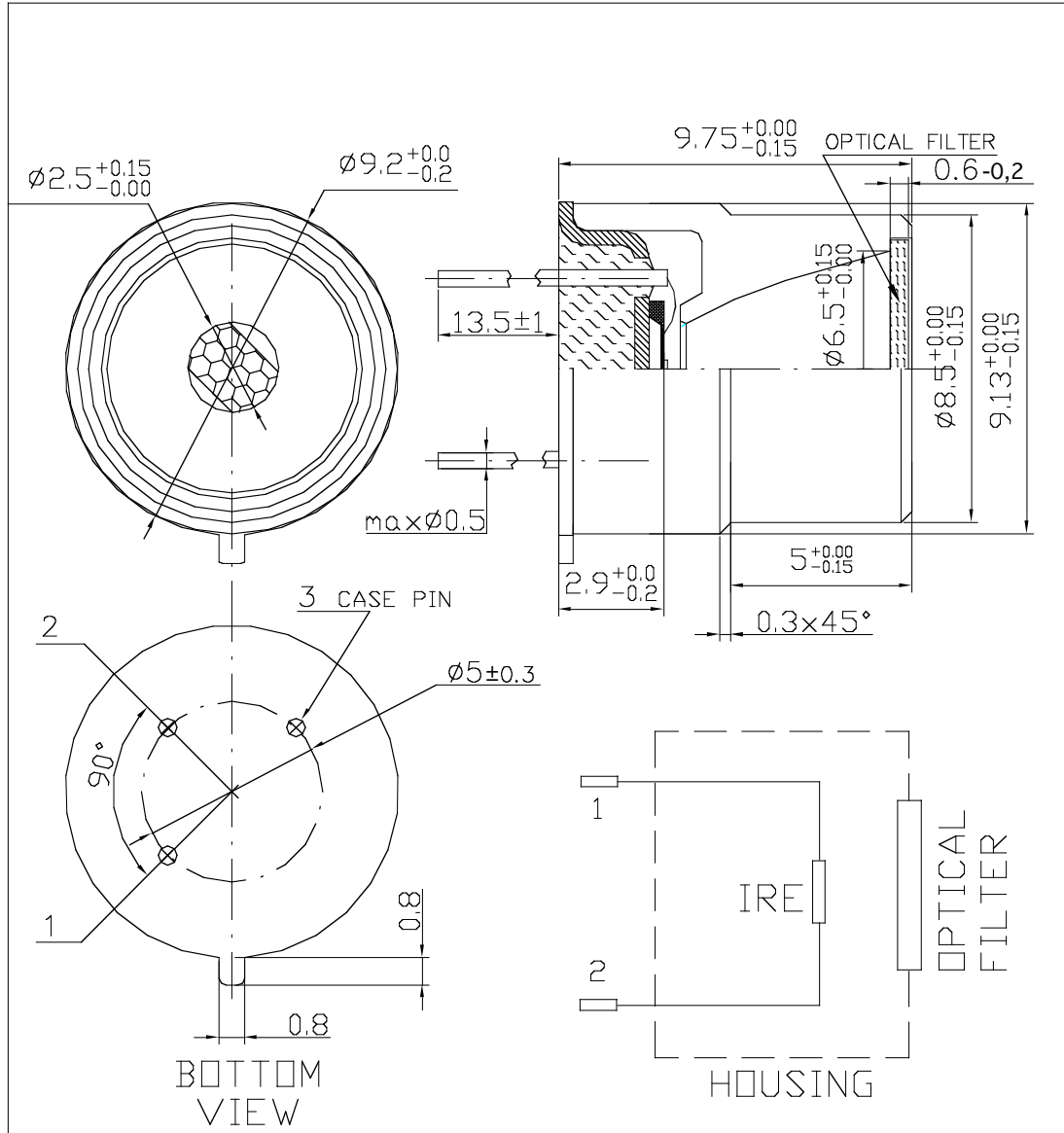
5460 Skylane Boulevard, Santa Rosa, CA 95403  
Phone: (707) 568-1642 • FAX: (707) 568-1652  
[www.eoc-inc.com](http://www.eoc-inc.com)

The reproduction, transmission or use of this document or its content is not permitted without express written authority. Offenders will be liable for damages. All rights, including rights created by patent grant or registration of a utility model or design are reserved.



				GENERAL TOLERANCES		EDGES OF WORKING-PARTS ACC. DIN 6784	GEOMETRICAL TOLERANCES
				DATE	NAME	MATERIAL	
				DRAWN BY	19.02.07	Denchenko	
				CHECKED BY	19.02.07	Kirpilenko	
				SCALE	TITLE		DRAWING NO.
				5:1	ELEMENT ORIENTATION AND CONNECTIONS MIRL 17-900		520/476.202
							REPLACEMENT FOR
							REPLACED BY
NO.	REVISION	DATE	NAME				

The reproduction, transmission or use of this document or its content is not permitted without express written authority. Offenders will be liable for damages. All rights, including rights created by patent grant or registration of a utility model or design are reserved.



				GENERAL TOLERANCES		EDGES OF WORKING-PARTS ACC. DIN 6784	GEOMETRICAL TOLERANCES
				DATE	NAME	MATERIAL	
			DRAWN BY	19.02.07	Demchenko		
			CHECKED BY	19.02.07	Kirpilenko		
			SCALE	TITLE			DRAWING NO. 520/476.202 REPLACEMENT FOR
			5:1	ELEMENT ORIENTATION AND CONNECTIONS MIRL 17-900			
NO.	REVISION	DATE	NAME				REPLACED BY