

Intex Package Options

TO-5

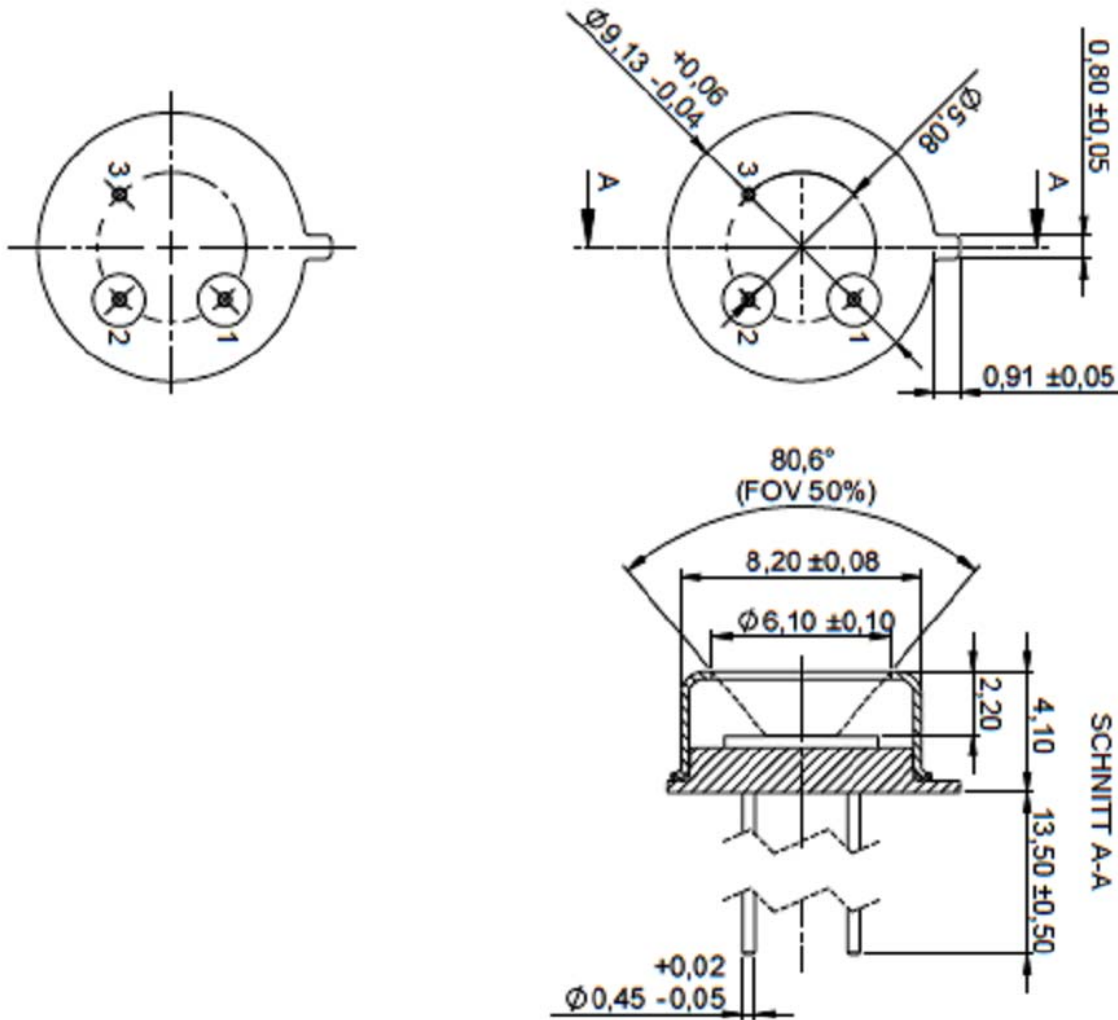
TO-39



Electro Optical Components, Inc.

5460 Skylane Boulevard, Santa Rosa, CA 95403
Phone: (707) 568-1642 • FAX: (707) 568-1652
www.eoc-inc.com

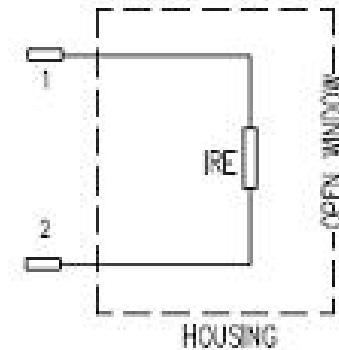
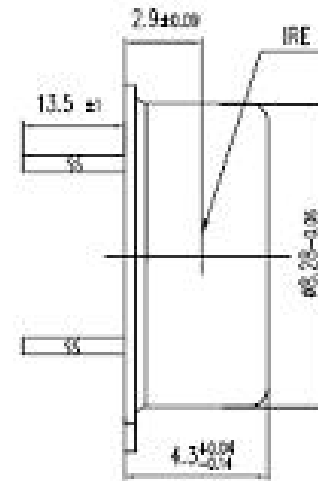
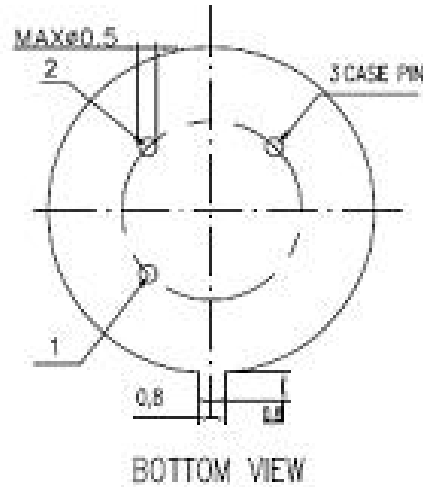
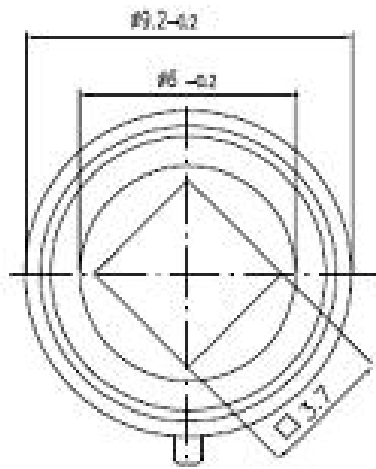
INTEX T0-39 Package



Electro Optical Components, Inc.

5460 Skylane Boulevard, Santa Rosa, CA 95403
Phone: (707) 568-1642 • FAX: (707) 568-1652
www.eoc-inc.com

INTEX TO-5 Package



Electro Optical Components, Inc.

5460 Skylane Boulevard, Santa Rosa, CA 95403
Phone: (707) 568-1642 • FAX: (707) 568-1652
www.eoc-inc.com