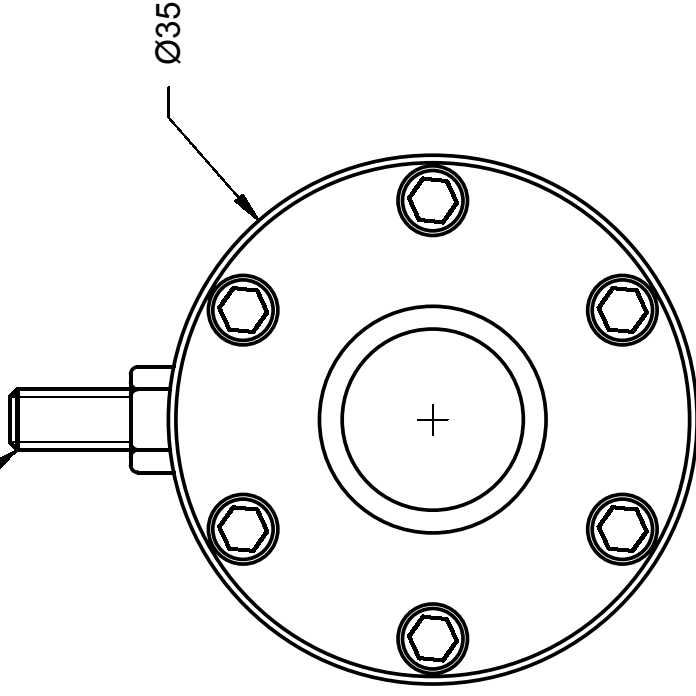
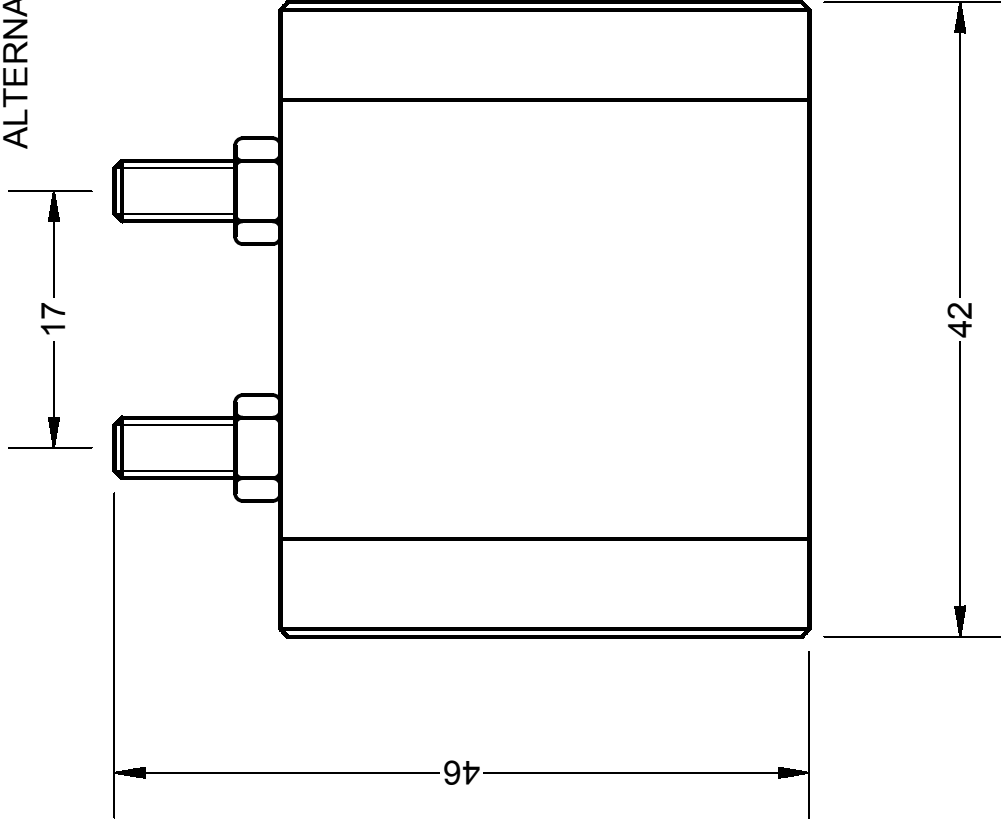



M4 STUD TERMINALS SHOWN.  
ALTERNATIVE PIN TERMINALS  
ALSO AVAILABLE.



**LEYSOP**

EM510M INTERFACE DRAWING

Scale 2:1	Drawn Drawing No. 189 Part 7	Approved	Issue 1	Date 08/08/01
	Dims. mm	Tolerances Unless Otherwise Stated $\pm 0.1$		