

Infrared Emitter JSIR 450

The JSIR450 is a wide band and powerful Infrared-Source. It has a big radiation power in the IR-band up to 15 μ m. In contrast to glow spiral emitters a circular homogeneous temperature distribution is reached. The JSIR450 has a broad spectral range output with high intensity. A high electric power consumption is possible within long lifetime. The JSIR450 works e.g. in infrared spectroscopy, gas detection systems, air quality and environment monitoring and in medical gas monitoring.

Type	JSIR450	
Spectral Output Range	typ 0.8 ... 15	μ m
Active Area	3.8	mm ²
Resistant	12 (11 ... 13)	Ω
Critical Modulation Frequency	0.3 (0.25 ... 0.4)	Hz
Power Consumption	0.7	W
Operation Voltage	2.9	V
Operation Current	240	mA
Area Temperature	650	$^{\circ}$ C
Case Temperature at Air	106	$^{\circ}$ C
Operation Temperature	-40 ... +80	$^{\circ}$ C
Mass	2	g
Housing	T05 modified	
Lifetime at 650 $^{\circ}$ C	> 5	years



Connection:



Pin 1 Power
Pin 2 GND

Order Information:

JSIR450 6350.01-3.01

Absolute Max. Ratings	Value	Unit
Voltage	4.5	V
Current	375	mA
Power	1.7	W

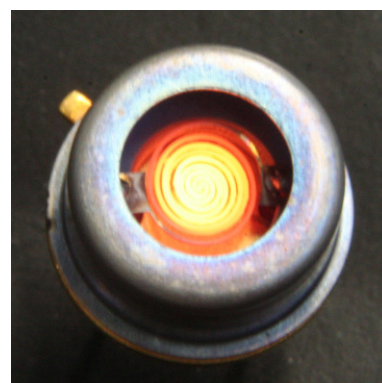
Micro-Hybrid Electronic GmbH

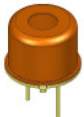


*Heinrich-Hertz-Straße 8
D-07629 Hermsdorf*

*Tel +49 366 01 592 100
Fax +49 366 01 592 110*

*Email: infrared@micro-hybrid.de
Web: www.micro-hybrid.de*

Infrared Emitter JSIR 450



 <p>Cap</p>	 <p>Add on Reflector</p>	 <p>JSIR450 with Reflector</p>

Micro-Hybrid Electronic GmbH

Heinrich-Hertz-Straße 8
D-07629 Hermsdorf

Tel +49 366 01 592 100
Fax +49 366 01 592 110

Email: infrared@micro-hybrid.de
Web: www.micro-hybrid.de