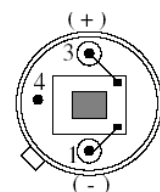


One Channel Thermopile TS200B1 / TS200X

Thermopile Detector in Thin film Technology with narrow Band Filter for Gas Analysis. This thermopile is equipped with a broadband-filter and can be qualified for various gases through a filter contributed by the customer.

Typ	TS200B1	TS200X
Active Area	1,2mm x 1,2mm	mm
Aperture	3,55	mm
Number of Junctions	200	
Resistance	typ. 65	kΩ
Resistance-T.C.	-0,03	%/K
Noise Voltage (at 25 °C)	33	nV/Hz ^{1/2}
Max. Irradiation	12	mW/mm ²
Backfill Gas	Nitrogen	
DC-Sensitivity ¹⁾	100	V/W
Sensitivity-T.C.	-0,3	%/K
Time Constant $t_{(0-63\%)}$	typ. 30	ms
DC Signal @38μW/mm ²	typ.1,4	mV
D* (500K black body, DC) ¹⁾	3,5x10 ⁸	cmHz ^{1/2} /W
Gas	Wide Range	Rand. Acc.
Measuring Range	2500 – 5500	
Operation Temperature	-40 ... +80	°C
Mass	1,1	g
Housing	TO39 (modified)	
Guarantee	5 years	

View Top



Connections:

Pin 1 Output -
Pin 3 Output +

Typical Filter:

CO₂ 4260nm
CO 4650nm
HC 3450nm
Saphir 150-5000nm
CaF₂ 200-9000nm

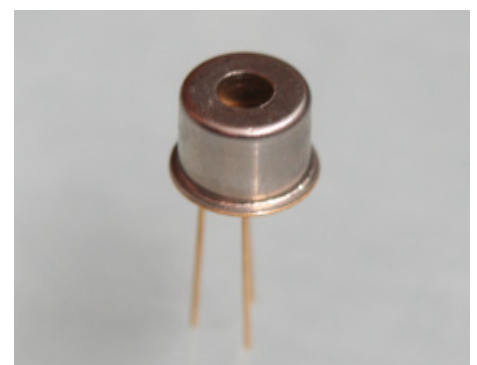
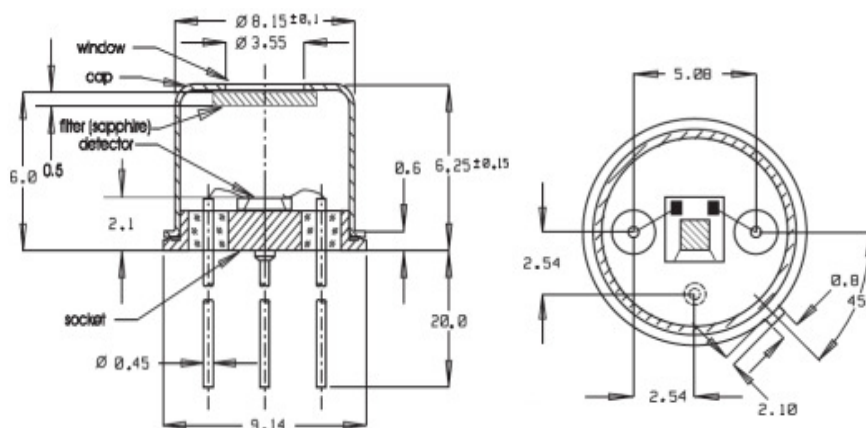
Without specifying guarantee

Stand Apr 2008– Changes possible

¹⁾ without window

Order Information:

TS200B1 Art.-Nr. 4592.63-3.01
TS200X Art.-Nr. please inquire



Completion by:

IR-Source: JSIR 450 Broadband IR emitters high performance for heavily absorbing media

Micro-Hybrid Electronic GmbH

Heinrich-Hertz-Straße 8
07629 Hermsdorf

Tel.: +49 366 01 / 5 92 – 100
Fax: +49 366 01 / 5 92 – 110

Email: contact@micro-hybrid.de
Web: www.micro-hybrid.de