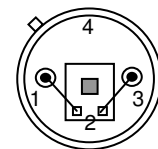


One Channel Thermopile TS200M1 / TS200MX

Thermopile miniature detector thin film technology for gas analysis

Type	TS200M1	TS200MX
Active Area	1,2mm x 1,2mm	mm
Aperture	2,4	mm
Number of Junctions per Channel	200	
Resistance	typ. 65	kΩ
Resistance-T.C.	-0,03	%/K
Noise Voltage (at 25 °C)	33	nV/Hz ^{1/2}
Max. Irradiation	12	mW/mm ²
Backfill Gas	Nitrogen	
DC-Sensitivity) ¹	100	V/W
Sensitivity-T.C.	-0,3	%/K
Time Constant t _(0-63%)	typ. 30	ms
DC Signal @38μW/mm ²	typ.1,4	mV
D* (500K black body, DC)) ¹	3,5x10 ⁸	cmHz ^{1/2} /W
Gas	CO ₂	Rand. Acc.
Filter	4260 – 195	
Operation Temperature	-40 ... +80	°C
Mass	0,3	g
Housing	TO46 (modified)	
Guarantee	5 years	

View Top



Connections:

Pin 1 Output -
Pin 3 Output +

Typical Filters:

CO₂ 4260nm
CO 4650nm
HC 3450nm
Saphir 150-5000nm
CaF₂ 200-9000nm

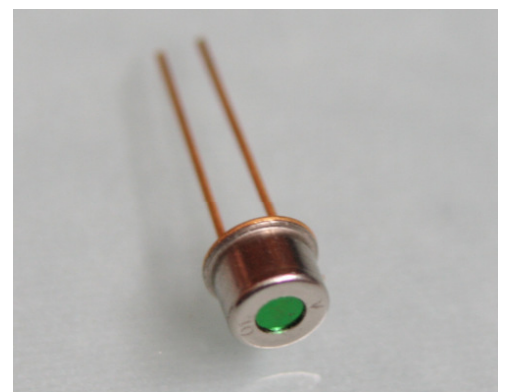
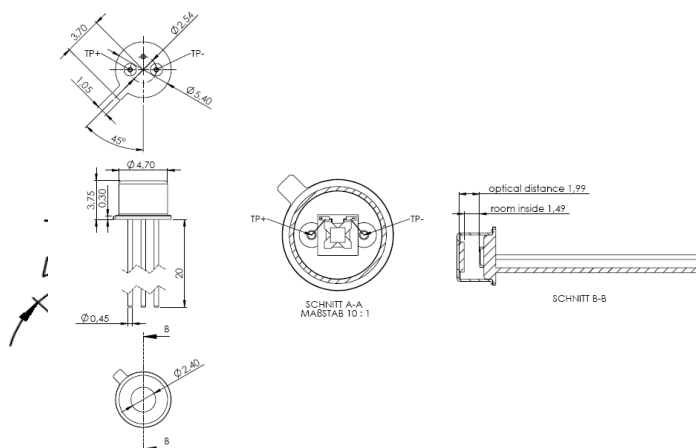
Without specifying guarantee

Juli 2008– Changes Possible

*)¹ without window

Order Information:

TS200M1 Art.-Nr. 4591.11-3.01
TS200MX Art.-Nr. please inquire



Optional parts:

IR-Source JSIR 450

Broadband IR emitters high performance for heavily absorbing media
Art.-No. 6350.01-3.01

Micro-Hybrid Electronic GmbH

Heinrich-Hertz-Straße 8
07629 Hermsdorf

Tel.: +49 366 01 / 5 92 – 100
Fax: +49 366 01 / 5 92 – 110

Email: contact@micro-hybrid.de
Web: www.micro-hybrid.de