

One Channel Thermopile TS200M1L / TS200MXL

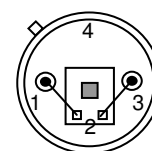
Inexpensive thermopile Micro Detector with Filter for Gas analysis.

Type	TS200M1L	TS200MXL
Active Area	0,7mm x 0,7mm	mm
Aperture	2,4	mm
Number of Junctions per Channel	100	
Resistance	typ. 50	kΩ
Resistance-T.C.	-0,03	%/K
Noise equivalent achievement	0,41	nV/Hz ^{1/2}
Backfill Gas	Nitrogen	
DC-Sensitivity ¹⁾	90	V/W
Sensitivity-T.C.	-0,52	%/K
Time Constant $t_{(0-63\%)}$	typ. 88	ms
D* (500K black body, DC) ¹⁾	3,5x10 ⁸	cmHz ^{1/2} /W
Gas	CO ₂	Rand. Acc.
Filter	4260 – 195	
Operation Temperature	-40 ... +80	°C
Mass	0,3	g
Housing	TO46 (modified)	
Guarantee	5 years	

Juli 2008– Changes Possible

¹⁾ without window

View Top



Connections:

Pin 1 Output -
Pin 3 Output +

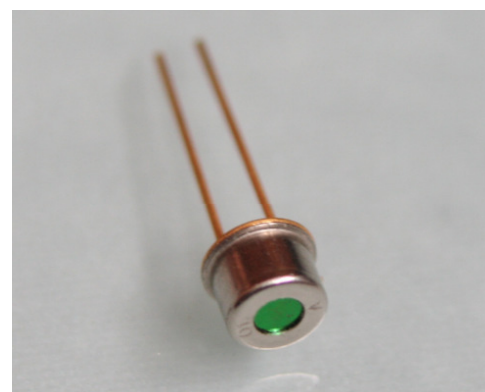
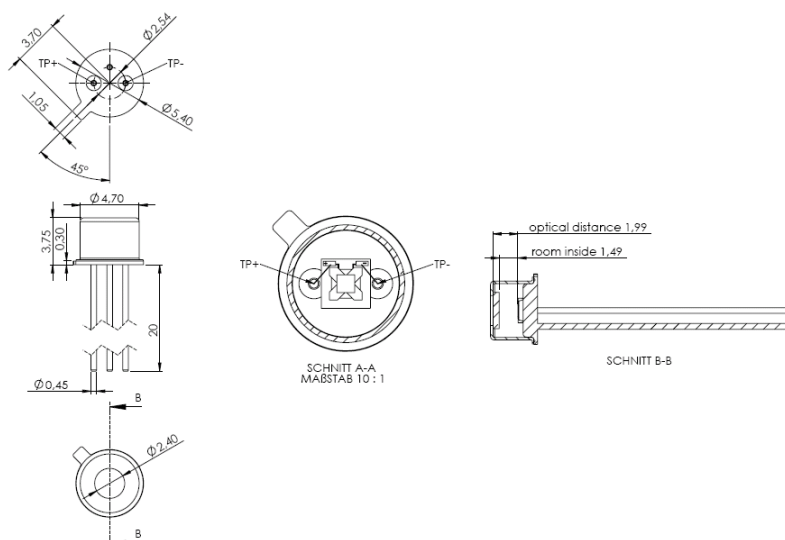
Typical Filters.

CO₂ 4260nm
CO 4650nm
HC 3450nm
Saphir 150-5000nm
CaF₂ 200-9000nm

Without specifying guarantee

Order Information:

TS200M1L Art.-Nr. 4591.17-G.01
TS200MXL Art.-Nr. please inquire



Optional parts:

IR-Source JSIR 450

Broadband IR emitters high performance for heavily absorbing media
Art.-No. 6350.01-3.01

Micro-Hybrid Electronic GmbH

Heinrich-Hertz-Straße 8
07629 Hermsdorf

Tel.: +49 366 01 / 5 92 – 100
Fax: +49 366 01 / 5 92 – 110

Email: contact@micro-hybrid.de
Web: www.micro-hybrid.de