



Electro Optical Components, Inc.

5464 Skylane Boulevard, Suite D, Santa Rosa, CA 95403

Toll Free: 855-EOC-6300

www.eoc-inc.com | info@eoc-inc.com



Sockets



RoHS Compliant
ISO 9001
Certified

INTEX						
Intex Model Number	Andon Part Number Replace "XXX" with Terminal Type	Terminal Type		Pin Ø [in]	Figure Number	Page Number
		Thru-Hole	Surface Mount			
INTX 08-0300	R098-0402-02T-XXX-R27-L14	274K	281K	.018	14-2	1
INTX 17-0900	R197-0403-01T-XXX-R27-L14	01S	93S	.018	50-2	1
INTX 22-1000	R197-0403-01T-XXX-R27-L14	01S	93S	.018	50-2	1

Top View Shown
Units: in [mm]

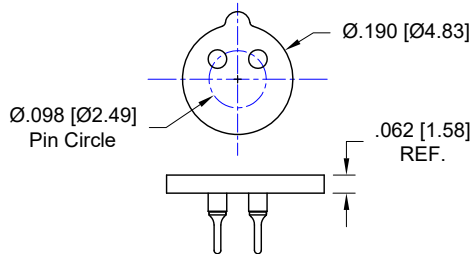


Fig. 14-2

Thru-Hole: R098-0402-02T-**274K**-R27-L14
Surface Mount: R098-0402-02T-**281K**-R27-L14

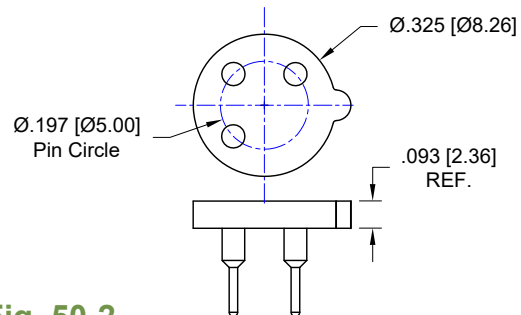
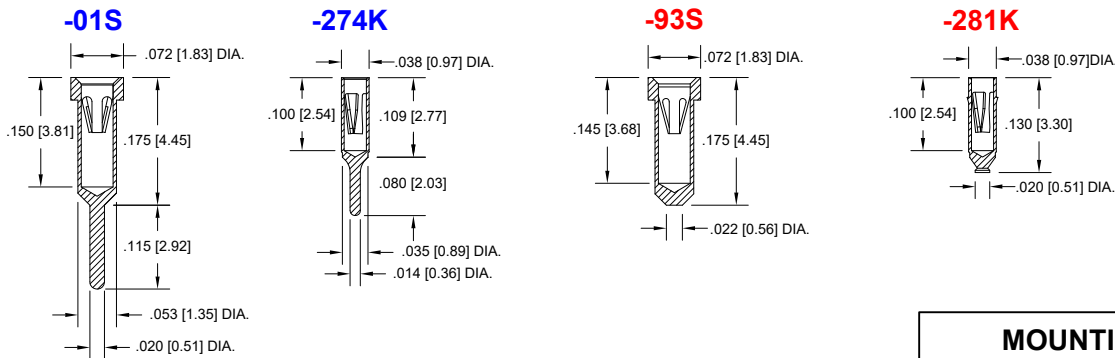


Fig. 50-2

Thru-Hole: R197-0403-01T-**01S**-R27-L14
Surface Mount: R197-0403-01T-**93S**-R27-L14

Socket Terminal Details

Cross Section View Shown Units: in [mm]



Material:

Insulator: Hi-Temp UL 94V-O
Terminal: Brass, per ASTM-B16
Contact: BeCu, Per ASTM-B194

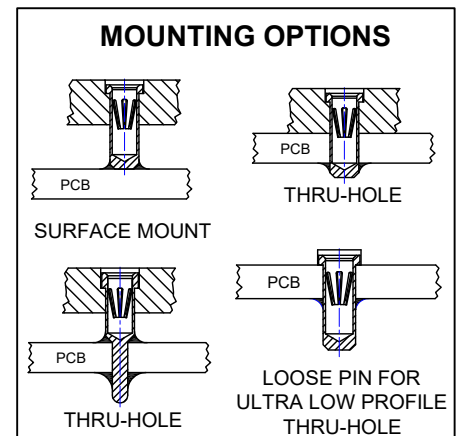
Plating: RoHS COMPLIANT

R27 TERMINAL: GOLD / CONTACT: GOLD

R17 TERMINAL: TIN / CONTACT: GOLD

OTHER PLATINGS AVAILABLE

Terminal Acceptance and Forces							
Thru Hole Terminals				Surface Mount Terminals			
Thru Hole Terminal	Accepts Pin Diameter	Insertion Force	Withdrawal Force	Surface Mount Terminal	Accepts Pin Diameter	Insertion Force	Withdrawal Force
-274K	Ø.018 [Ø1.46]	1.0 oz Max	0.5 oz Min	-281K	Ø.018 [Ø0.46]	1.0 oz Max	0.5 oz Min
-01S	Ø.018 [Ø0.46]	9.0 oz Avg.	2.0 oz Min	-93S	Ø.018 [Ø0.46]	9.0 oz Avg.	2.0 oz Min





Electro Optical Components, Inc.

5460 Skylane Boulevard, Santa Rosa, CA 95403

Phone: (707) 568-1642 • FAX: (707) 568-1652

www.eoc-inc.com



Electro Optical Components, Inc.

5460 Skylane Boulevard, Santa Rosa, CA 95403
Phone: (707) 568-1642 • FAX: (707) 568-1652
www.eoc-inc.com