



## EOC-BT-T10-G Series Infrared Body Temperature Rapid Screening Instrument

This infrared body temperature rapid screener is developed based on infrared heat radiation. It uses an uncooled core and low signal-to-noise image processing technology, non-contact, real-time, continuous, accurate temperature measurement device, supports horizontal and vertical adjustment, flexible control and easy deployment. Combined with a dedicated software system, it can visualize the temperature information of the measured object.

It has been widely used for entry and exit health and quarantine at customs, airports, stations, docks, land ports, and epidemic prevention in crucial occasions such as schools, hospitals, and office buildings.



### Intelligent Function

- "area deployment" temperature measurement mode  
divide multiple grids to perform regional screening of the crowd, can be flexibly deployed
- Long-distance, large-area body temperature detection
- Support horizontal and vertical adjustment

### Thermal Imaging Function

- 680 × 480 high sensitivity detector, contrast adjustable
- Highest temperature cross cursor positioning
- Point, line, rectangle, irregular area temperature measurement mode
- Abnormal temperature alarm function
- Support timing, temperature difference and shutter correction in manual mode, AGC mode can be selected
- Support 3D noise reduction function, false color can be adjusted, image detail enhancement available
- Support mirroring, local video output
- IP66 protection level, lightning protection, anti-surge

### Visual Camera Function

- 5 Mega high-definition visible image sensor
- Auto white balance, 3D noise reduction, backlight compensation
- Face temperature measurement mode, intelligently analyze face targets and measure body temperature, support multiple alarm linkage
- Dual-light temperature measurement linkage, can draw rules and superimpose temperature measurement information on the visible light image

### Model

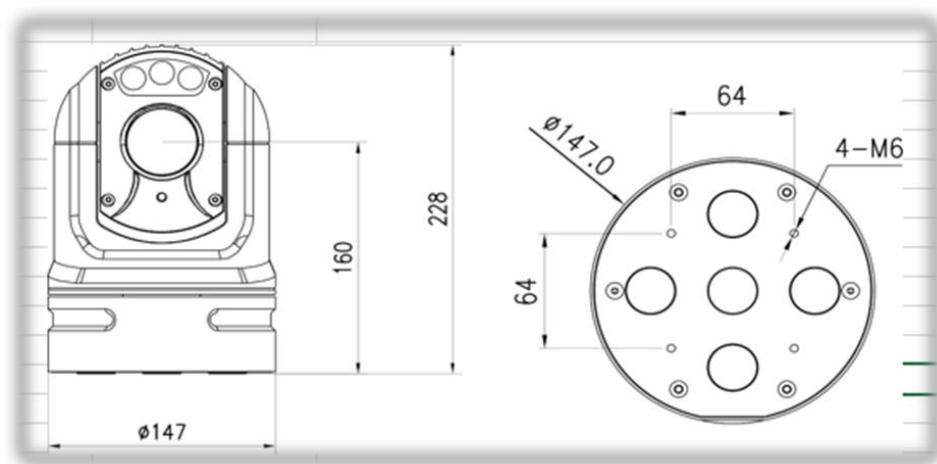
- BT-T10-G

## Applications

It is suitable for rapid screening of human body temperature in places with dense flow of people such as airports, stations, docks, hospitals, and office buildings.



## Dimension



## Specification

Product name		EOC-BT-T10-G Series Infrared Body Temperature Rapid Screening Instrument
Parameters		
Product model		BT-T10-G
Thermal camera core	Detector	Uncooled
	Detector Format	640 x 480
	Spectral Range	7.5~14 $\mu$ m
	Optical components transmission correction	Manual / Automatic, based on the signal from the internal sensor
	Pixel size	17 $\mu$ m
	Lens focal length	25mm
	NETD	< 50mk(@25°C,F#=1.0)

	Field of View	24.9°×20°
	Frame rate	30HZ
	Color palettes	Hot white, black hot, iron red, etc.
Visual Camera	Lens focal length	2.7mm
	Resolution	5MegaPixel
Temperature Measurement	Measurement Range	0°C ~ +70°C
	Measurement Accuracy	±0.4°C(without blackbody), ±0.3°C(with blackbody)
	Temperature area setting	Support maximum, minimum, average temperature tracking, support point, line, rectangle, irregular area temperature measurement mode
	Intelligent features	Support automatic capture of moving face targets
	Face area recognition	Support mask-wearing face area identification to avoid false alarms from non-face high-temperature objects.
	Overtemperature alarm function	Support abnormal human body temperature alarm function, automatically capture heating targets, image flashing alarm
Pic & Video	Thermal Image / Video /Visible Light Picture	Including full temperature data (.jpg) Full Temperature Infrared Video Visible Light Picture (.jpg)
PTZ	Horizontal rotation angle	0 to 360°continuous rotation
	Vertical rotation angle	-20° ~ +60°
	Horizontal rotation speed	0.05° to 100°/S; Preset position: 100°/S
	Vertical rotation speed	0.05° to 100°/S; Preset position: 100°/S
	Position presets	255 MAX
	Preposition accuracy	< 0.05°