



100~300μJ 1535nm Microchip Laser Module

Applications

- Laser range finder
- Meteorological radar

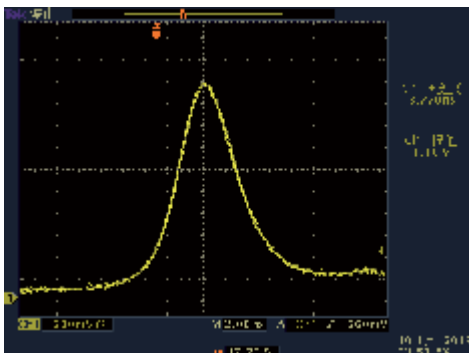


Key Features

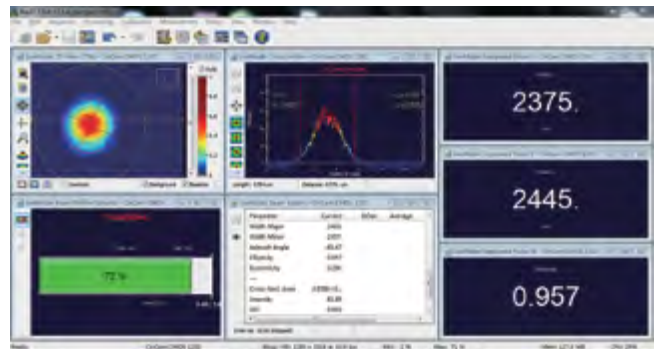
- ◆ Passively Q-Switched, Er:Glass
- ◆ Eye-safe
- ◆ Extremely light
- ◆ Super compact design
- ◆ Wide operating temperature range

Technical Specifications

Wavelength (nm)	1535		
Pulse energy (μJ)	100	200	300
Pulse width (ns)	≤5	≤5	≤5
Repetition rate (Hz)	10	10	10
Operating current (A)	7	10	12
Beam full divergence (typ., mrad)	10	10	10
Beam profile	TEM ₀₀		
Weight (g)	7	10	12
Dimensions (W×H×L,mm)	21x8x7	25x8x7	
Operation temperature (°C)	-40~65		
Storage temperature (°C)	-55~80		



Typical Pulse

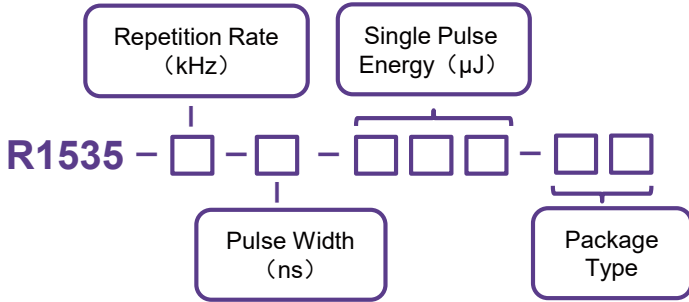


Beam Profile

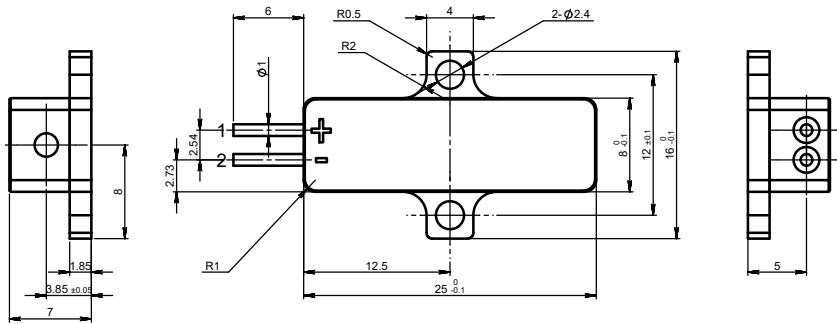
Order Information

Wavelength (nm)	Part Number	Repetition rate (Hz)	Pulse width (ns)	Pulse energy (μJ)	Dimensions (mm)
1535	R1535-0.01-5-100-F2A	10	5	100	21x8x7
	R1535-0.01-5-200-F2	10	5	200	25x8x7
	R1535-0.01-5-300-F2	10	5	300	25x8x7

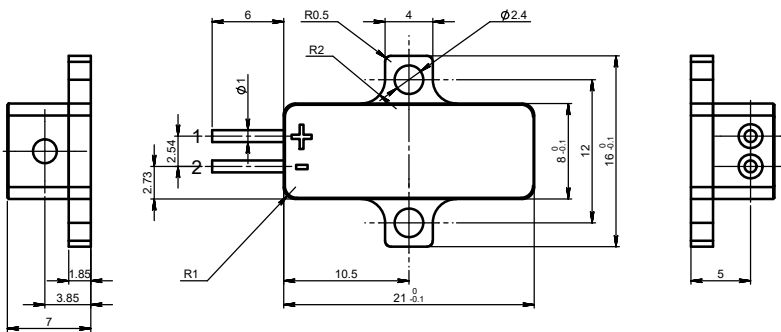
Part Numbering Schema



Mechanical Drawings (in mm)



25x8x7mm F2 Drawing



21x8x7mm F2A Drawing

Pin Descriptions

Pin	Function
1	Laser (+)
2	Laser (-)

