



500μJ 1535nm Microchip Laser Module



Applications

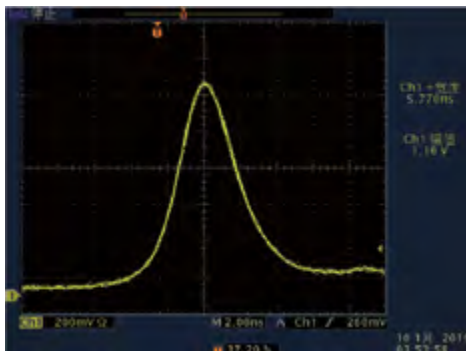
- Laser range finder
- Meteorological radar

Key Features

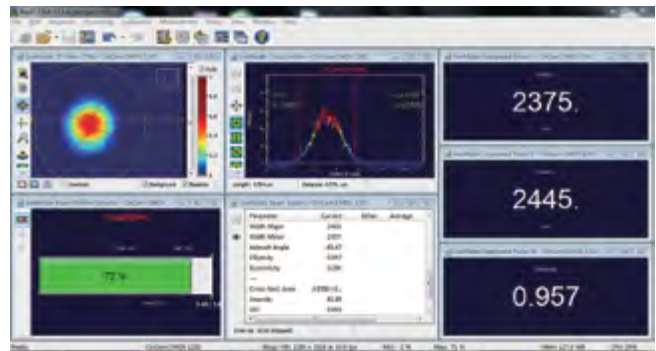
- ◆ Passively Q-Switched, Er:Glass
- ◆ Eye-safe
- ◆ Extremely light
- ◆ Super compact design
- ◆ Wide operating temperature range

Technical Specifications

Wavelength (nm)	1535
Pulse energy (μJ)	500
Pulse width (ns)	≤6
Repetition rate (Hz)	10
Operating current (A)	20
Beam full divergence (typ., mrad)	6
Beam profile	TEM ₀₀
Weight (g)	13
Dimensions (W×H×L,mm)	32x8x7
Operation temperature (°C)	-40~65
Storage temperature (°C)	-55~80



Typical Pulse

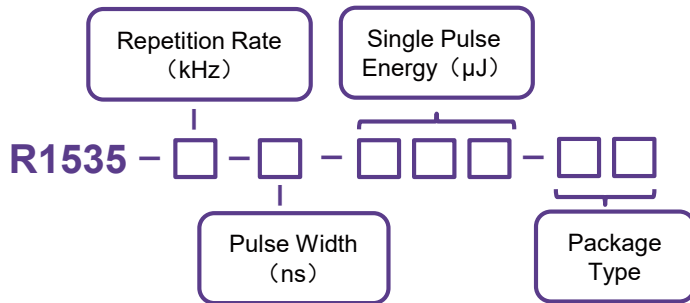


Beam Profile

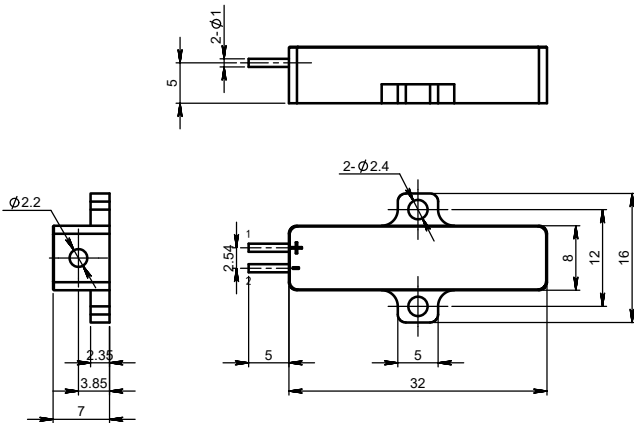
Order Information

Wavelength (nm)	Part Number	Repetition rate (Hz)	Pulse width (ns)	Pulse energy (μJ)	Dimensions (mm)
1535	R1535-0.01-6-500-F3	10	6	500	32x8x7

Part Numbering Schema



Mechanical Drawings (in mm)



F3 Drawing

Pin Descriptions

Pin	Function
1	Laser (+)
2	Laser (-)

