



# High Repetition Rate 1535nm Microchip Laser Module



## Key Features

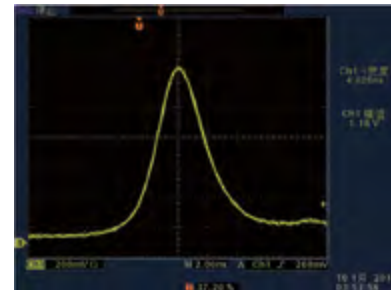
- ◆ Passively Q-Switched, Er:Glass
- ◆ Eye-safe
- ◆ Extremely light (about 10g)
- ◆ Wide operating temperature range

## Applications

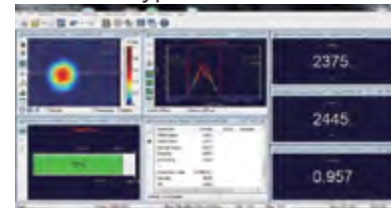
- Obstacle avoidance radar
- Meteorological radar
- Laser range finder

## Technical Specifications

| Wavelength ( nm )                   | 1535              |     |     |     |
|-------------------------------------|-------------------|-----|-----|-----|
| Pulse energy ( μJ )                 | 40                | 20  | 10  | 5   |
| Repetition rate ( kHz )             | 1                 | 2.5 | 5   | 10  |
| Pulse width ( ns )                  | ≤5                | ≤6  | ≤8  | ≤10 |
| Operating current ( A )             | 5                 |     |     |     |
| Operating voltage ( V )             | 2                 |     |     |     |
| Beam diameter ( mm )                | 0.3               |     |     |     |
| Beam full divergence ( typ., mrad ) | ≤16               | ≤17 | ≤18 | ≤20 |
| Beam pointing                       | < 0.2°            |     |     |     |
| Beam profile                        | TEM <sub>00</sub> |     |     |     |
| Weight ( g )                        | ≤10               |     |     |     |
| Dimensions ( W×H×L, mm )            | 21x8x7            |     |     |     |
| Operation temperature ( °C )        | -40~65            |     |     |     |
| Storage temperature ( °C )          | -55~80            |     |     |     |



Typical Pluse

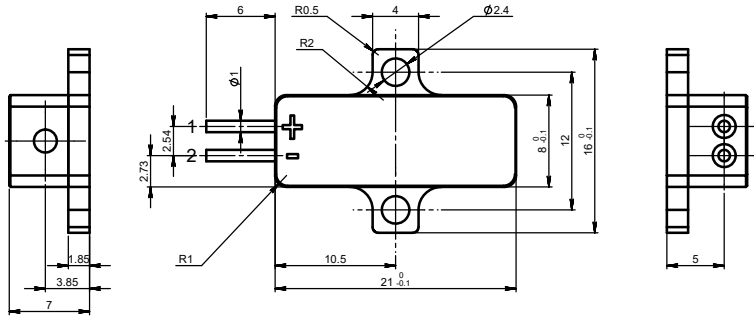


Beam Profile

## Order Information

| Wavelength (nm) | Part Number       | Repetition rate (kHz) | Pulse width (ns) | Pulse energy ( $\mu\text{J}$ ) | Dimensions (mm) |
|-----------------|-------------------|-----------------------|------------------|--------------------------------|-----------------|
| 1535            | R1535-1-5-40-F1   | 1                     | 5                | 40                             | 21x8x7          |
|                 | R1535-2.5-6-20-F1 | 2.5                   | 6                | 20                             | 21x8x7          |
|                 | R1535-5-8-10-F1   | 5                     | 8                | 10                             | 21x8x7          |
|                 | R1535-10-10-5-F1  | 10                    | 10               | 5                              | 21x8x7          |

## Mechanical Drawings (in mm)



| Pin | Function  |
|-----|-----------|
| 1   | Laser (+) |
| 2   | Laser (-) |

Pin Descriptions

