



Digital UV Sensor

GUVx¹⁾-Syy²⁾GM



Features

- Integrated UV Sensors for UVx in a single package
- UV index measurement supported(1...> 20)
- Programmable Gain and Integration time
- I2C slave interface up to 400KHz
- Power management modes
- Sleep current : 1uA typical
- Supply voltage of 3V to 3.6V
- 13.0mm×13mm×3mm 8-pin package



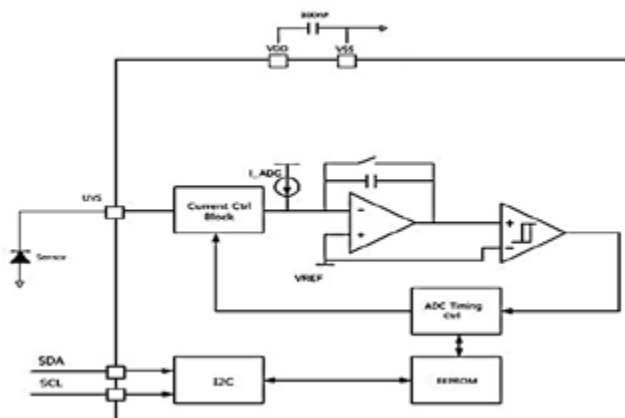
Applications

Smartphone, Watch, Weather station,
Bicycle Navigation, Gaming, Accessary

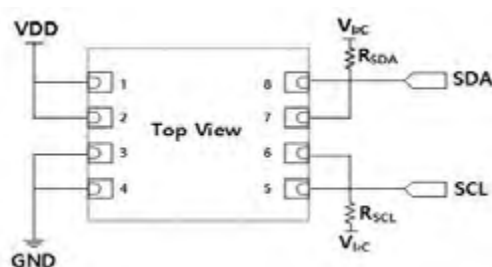
General Description

GUVx¹⁾-Syy²⁾GM supports integrated functions of an ultraviolet light sensor such that can be easily configured and used in user applications. GUVx¹⁾-Syy²⁾GM supports the All range of ultraviolet.

This device has photodiodes, amplifiers, ADC, digital control logic and I2C interface circuit to measure the volumes of UV Sensor. The GUVx¹⁾-Syy²⁾GM can acquire the intensity of UV Sensor, respectively and outputs digital count according to the each intensity. By using power management mode properly according to the work to be done, the power consumption can be reduced.



Application Circuit



Pin Description

PinNo.	Pin Name	Description
1, 2	VDD	Supply Voltage
3, 4	GND	GND
5, 6	SCL	I2C clock line
7, 8	SDA	I2C data line

1) x mean UV wavelength.

2) yy mean chip type.

General Characteristics

Package	13.0 × 13.0 (mm ²)
Operating Temperature	-30~+85°C
Soldering Temperature	260°C(Peak Temp:10sec)

Electrical Characteristics

Number of output	1 Channel
Output Resolution	10bits
UV Index range	0~20
Sleep mode control	Enable
Power management	normal, sleep
I2C clock Frequency	Up to 400KHz
Operational current	300μA, typical
Deep sleep current	<1μA
Supply voltage	3.0~3.6V

Package Information

