



Electro Optical Components, Inc.

5464 Skylane Boulevard, Suite D, Santa Rosa, CA 95403

Toll Free: 855-EOC-6300

www.eoc-inc.com | info@eoc-inc.com

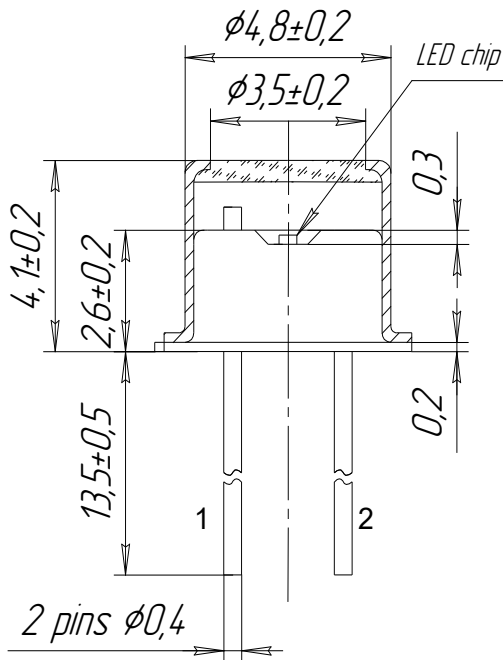


Mid-Infrared (MIR) Light-Emitting Diode

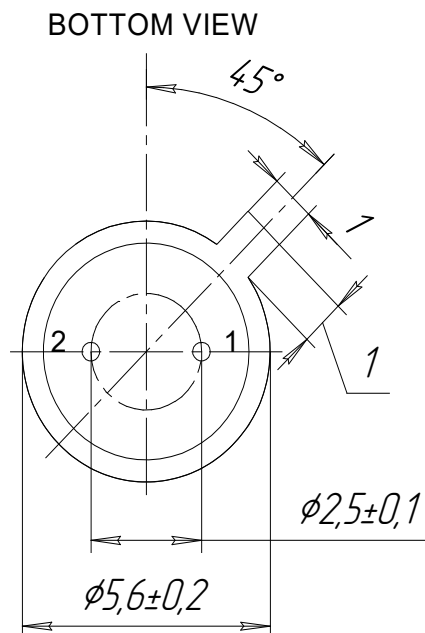
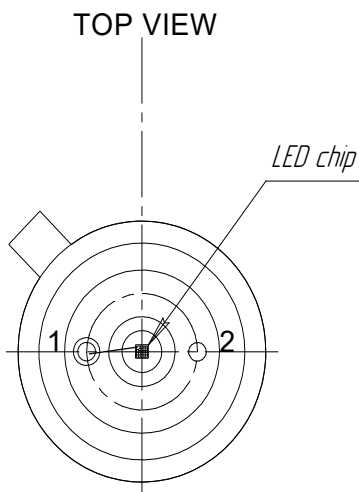
2.83 - 2.90 μm

Technical Drawings

LmsXXLED

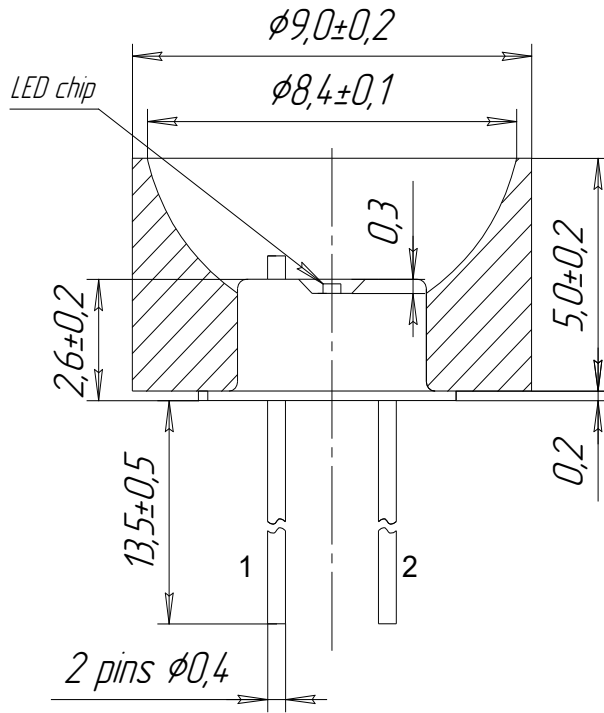


1 - LED anode
2 - LED cathode



Technical Drawings

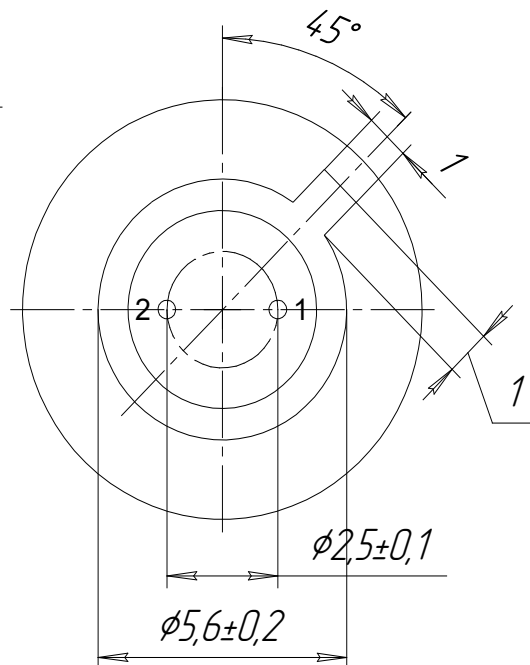
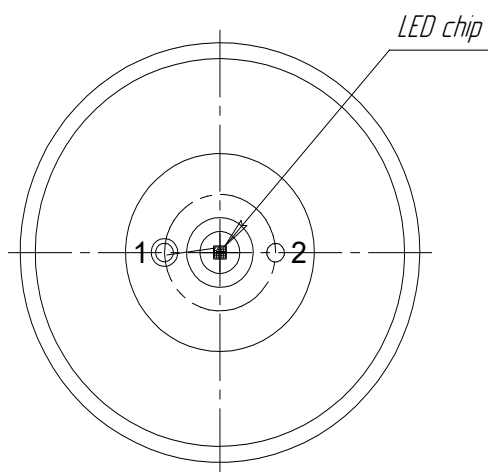
LmsXXLED-R



1 - LED anode
2 - LED cathode

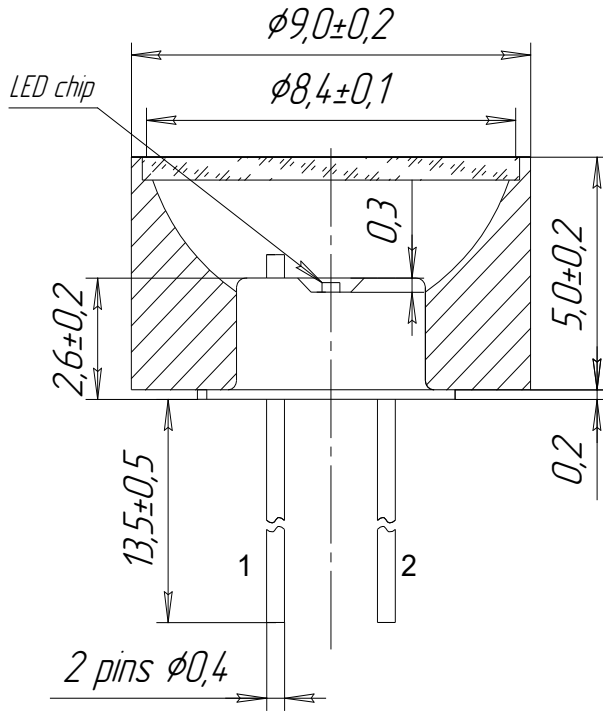
TOP VIEW

BOTTOM VIEW



Technical Drawings

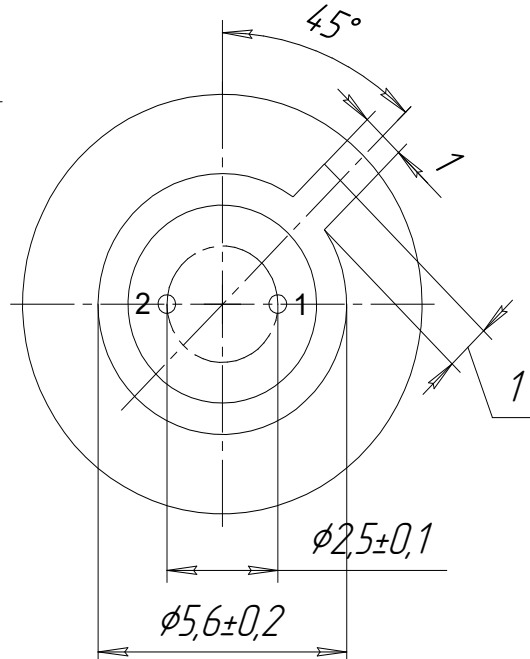
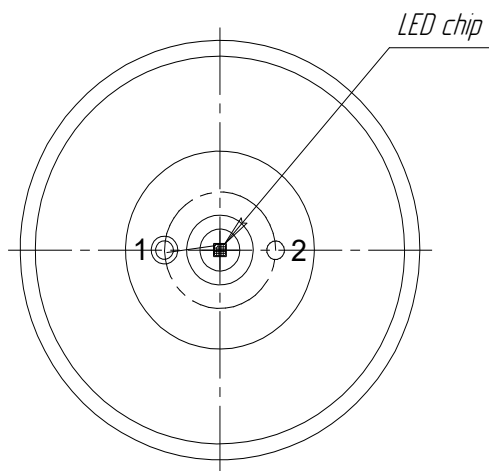
LmsXXLED-RW



1 - LED anode
2 - LED cathode

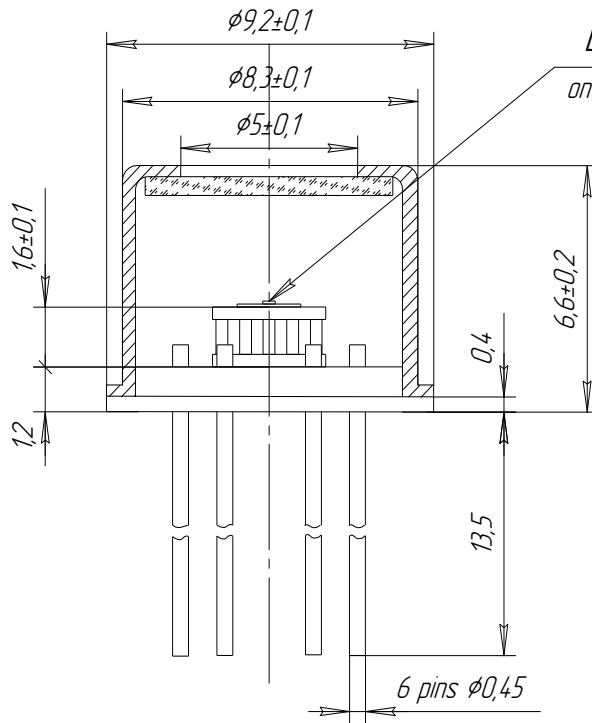
TOP VIEW

BOTTOM VIEW



Technical Drawings

LmsXXLED-TEM

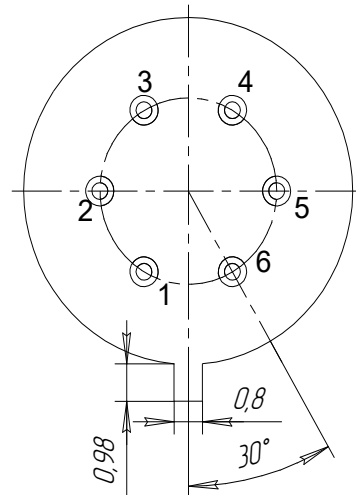
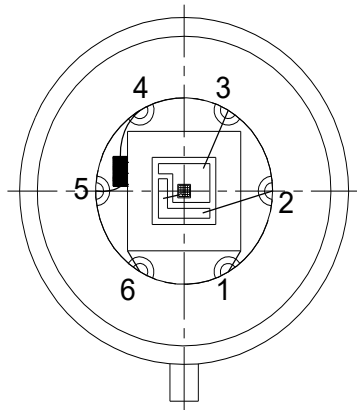


LED chip
on Si substrate

- 1 - TEC +
- 2 - LED anode
- 3 - LED cathode
- 4 - thermistor
- 5 - thermistor
- 6 - TEC -

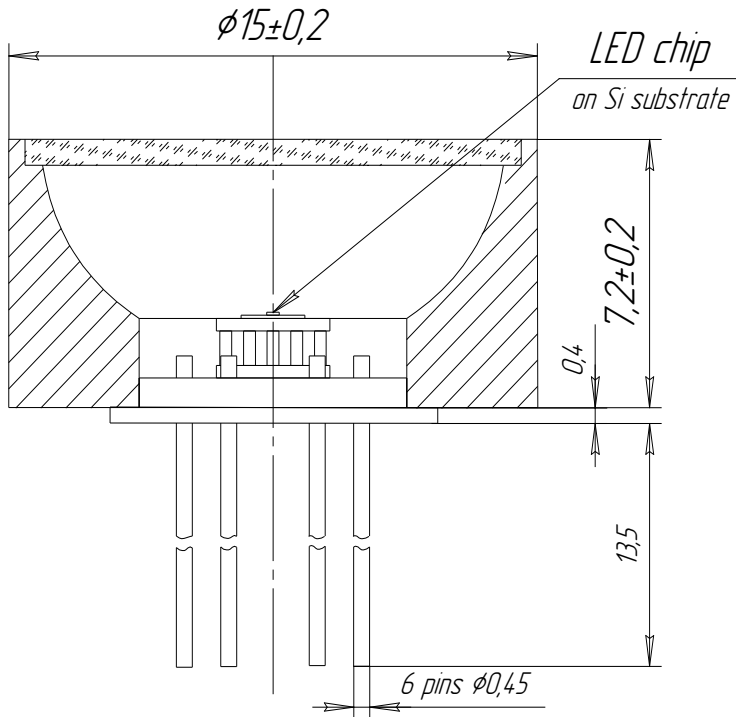
TOP VIEW

BOTTOM VIEW



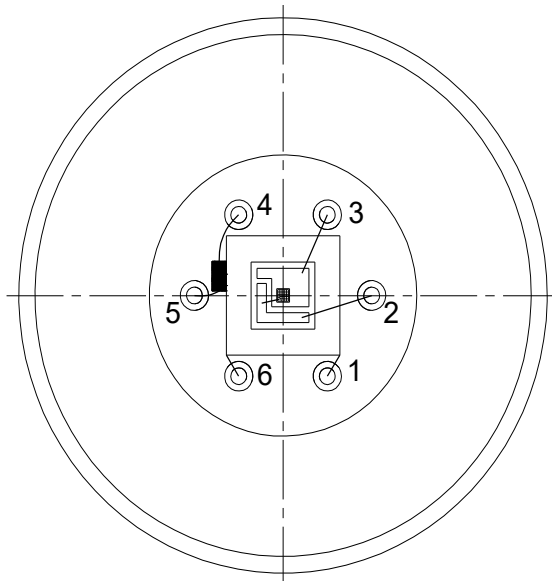
Technical Drawings

LmsXXLED-TEM-R



- 1 - TEC +
- 2 - LED anode
- 3 - LED cathode
- 4 - thermistor
- 5 - thermistor
- 6 - TEC -

TOP VIEW



BOTTOM VIEW

