



# Electro Optical Components, Inc.

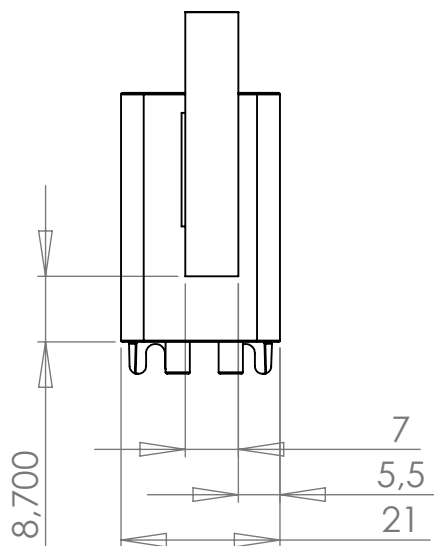
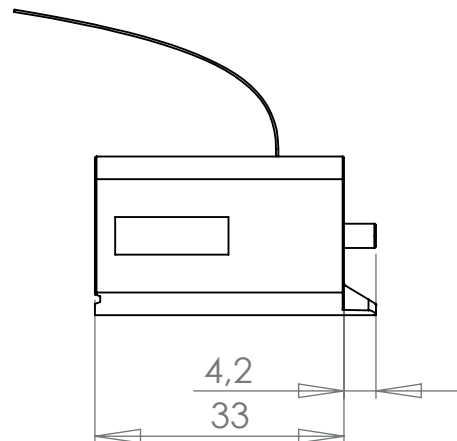
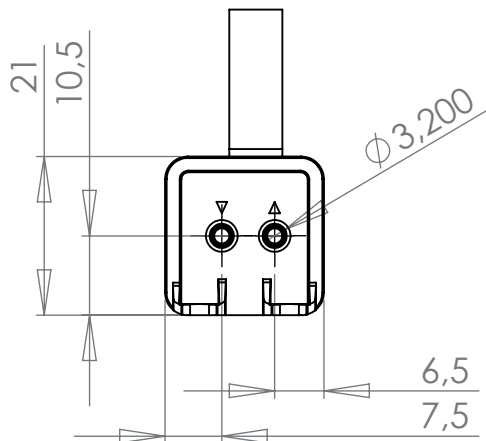
5464 Skylane Boulevard, Suite D, Santa Rosa, CA 95403

Toll Free: 855-EOC-6300

[www.eoc-inc.com](http://www.eoc-inc.com) | [info@eoc-inc.com](mailto:info@eoc-inc.com)



## BLACK edition V200 and P200 Pump with flex connection



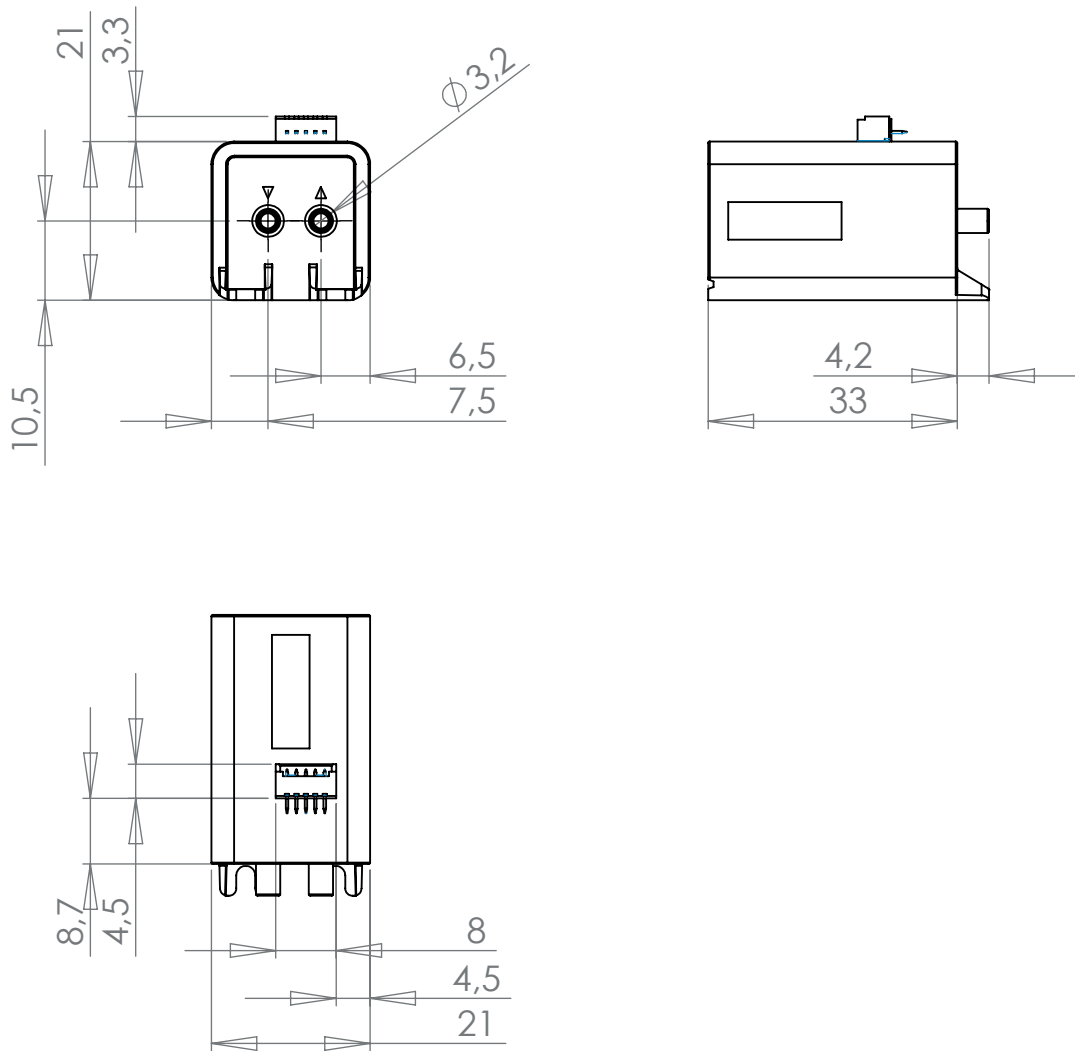
ALL DIMENSIONS ARE IN MM

PUMP MODEL	V200 AND P200 BLACK EDITION
CONNECTION	Flex
DRAWING SCALE	1:1
DIMENSION TOLERANCE	+/- 0,2mm
PUMP WEIGHT	40g +/- 2g
RECOMMENDED CONNECTORS	MOLEX 52610 or 52271
RECOMMENDED TUBE ID	1,6 to 2,8mm (Material dependent)

This information is accurate and reliable. However, specifications mentioned in this publication are subject to change without notice. This publication supersedes and replaces all information previously supplied. Xavitech products are not authorized for use as critical components in life support devices or systems without express written approval of Xavitech.

© 2020 Xavitech - All Rights Reserved

XAVITECH MICROPUMPS AB. INDUSTRIGATAN 17. 871 53. HÄRNÖSAND. SWEDEN. TELEPHONE +46 (0) 611 55 61 00. E-MAIL: XAVITECH@XAVITECH.COM



ALL DIMENSIONS ARE IN MM

PUMP MODEL	V200 AND P200 BLACK EDITION
CONNECTION	3 or 5 wires
DRAWING SCALE	1:1
DIMENSION TOLERANCE	+/- 0,2mm
PUMP WEIGHT	40g +/- 2g
RECOMMENDED CONNECTORS	MOLEX 53047 (picoblade)
RECOMMENDED TUBE ID	1,6 to 2,8mm (Material dependent)

This information is accurate and reliable. However, specifications mentioned in this publication are subject to change without notice. This publication supersedes and replaces all information previously supplied. Xavitech products are not authorized for use as critical components in life support devices or systems without express written approval of Xavitech.

© 2020 Xavitech - All Rights Reserved

XAVITECH MICROPUMPS AB. INDUSTRIGATAN 17. 871 53. HÄRNÖSAND. SWEDEN. TELEPHONE +46 (0) 611 55 61 00. E-MAIL: XAVITECH@XAVITECH.COM